

Invacare® Top End® Force™ RX Handcycle



| PROVIDER / CUSTOMER INFORMATION: | | | |
|--|--|-----------------------------|----------------------|
| Provider Information: | | End User Information: | |
| Date: | Name: | Height: | |
| IVC Acct #: | Ship to Address: | Weight (lbs.): | |
| Contact: | Address Line 2: | Leg Length (in.): | |
| Phone #: | City: | Hip Width (in.): | |
| Fax/Email: | State: | Zip: | Phone #: |
| <input type="radio"/> Ship to Provider | <input type="radio"/> Ship to End User | | Email: |
| ORDER REQUEST TYPE: | | | |
| <input type="radio"/> Quote | | <input type="radio"/> Order | |
| | | PO # | <input type="text"/> |

| BASE MODEL: | | |
|--|--|---------|
| <input checked="" type="radio"/> 10009 | Force RX Handcycle <i>Note: Bike ordered without wheels, tires, axles or shifting starts at \$8,371</i> | \$8,861 |

| Assembly: <i>(see definitions)</i> | | |
|--|------------------------|-------|
| <input type="radio"/> 10046 | Some Assembly Required | \$0 |
| <input type="radio"/> 10047 | Assembled | \$301 |
| Shipping: | | |
| Shipping Fee <i>(Continental US Only - See definitions)</i> | | \$150 |

| WHEEL SETS: | | |
|-----------------------------|---|---------------------------|
| WHEEL SIZES: | | |
| <input type="radio"/> 50170 | Front and Rear, 26" | \$0 |
| <input type="radio"/> 50172 | Front and Rear, 700C | \$0 |
| <input type="radio"/> 50171 | Front, 26" and Rear, 20" | \$0 |
| WHEEL TYPE: | | |
| 26" FRONT and 26" REAR: | | |
| <input type="radio"/> 50183 | Omit Wheels & Axles, Build for 26" Front and 26" Rear | -\$250 <i>(credit)</i> |
| <input type="radio"/> 50173 | High Performance, 26" Front High Performance, 26" Rear <i>(Clincher)</i> | \$0 |

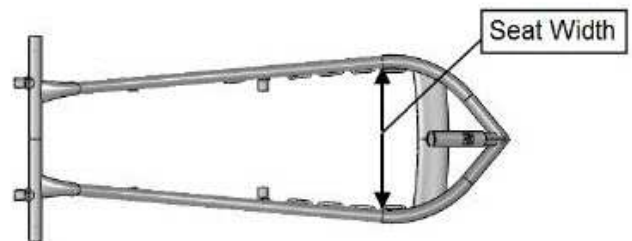
| 700C FRONT and 700C REAR: | | |
|-----------------------------|--|---------------------------|
| <input type="radio"/> 50185 | Omit Wheels & Axles, Build for 700C Front and 700C Rear | -\$250 <i>(credit)</i> |

| 26" FRONT and 20" REAR: | | |
|-----------------------------|---|---------------------------|
| <input type="radio"/> 50184 | Omit Wheels & Axles, Build for 26" Front and 20" Rear | -\$250 <i>(credit)</i> |
| <input type="radio"/> 50176 | High Performance, 26" Front High Performance, 20" Rear <i>(Clincher)</i> | \$361 |
| <input type="radio"/> 50177 | C7 Carbon, 26" Front C7 Carbon, 20" Rear <i>(Clincher)</i> | \$2,709 |



| WHEELBASE: <i>(see definitions)</i> | | |
|-------------------------------------|-----------------|-----|
| <input type="radio"/> 75014 | Standard Length | \$0 |
| <input type="radio"/> 75019 | Extended Length | \$0 |

| SEAT WIDTH: <i>(see diagram)</i> | | |
|----------------------------------|----------------|-----|
| <input type="radio"/> 15011 | 13" Seat Width | \$0 |
| <input type="radio"/> 15013 | 14" Seat Width | \$0 |
| <input type="radio"/> 15015 | 15" Seat Width | \$0 |
| <input type="radio"/> 15017 | 16" Seat Width | \$0 |
| <input type="radio"/> 15019 | 17" Seat Width | \$0 |
| <input type="radio"/> 15021 | 18" Seat Width | \$0 |

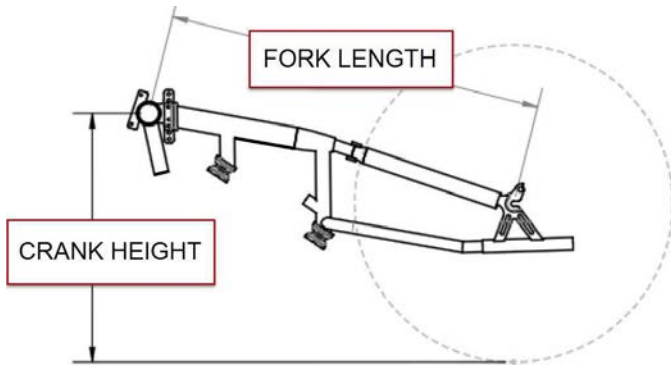


| CAMBER ANGLE: | | |
|-----------------------------|-----------------|-----|
| <input type="radio"/> 45001 | 0 Degree Camber | \$0 |
| <input type="radio"/> 45002 | 3 Degree Camber | \$0 |

Invacare® Top End® Force™ RX Handcycle



| FORK OPTIONS: | | |
|-----------------------------|--|-------|
| FORK STYLE: | | |
| <input type="radio"/> 65181 | Adjustable Height Fixed Length <i>(see definitions)</i> | \$0 |
| <input type="radio"/> 65180 | Adjustable Height Adjustable Length | \$361 |
| LOWER FORK STYLE: | | |
| <input type="radio"/> 75025 | Aerodynamic | \$0 |
| <input type="radio"/> 75026 | Wide <i>Required with Disk Brake</i> | \$0 |



| BRAKING: | | |
|-----------------------------|--|-------|
| <input type="radio"/> 65084 | Rim Brakes, Tektro <i>(see definitions)</i> | \$0 |
| <input type="radio"/> 65082 | Front disk brake <i>Must select Wide Lower Fork</i> | \$361 |

| CHAINRINGS: | | |
|-----------------------------|---|-----|
| <input type="radio"/> 65096 | Double, 48-34T <i>Not available with eTap shifting package</i> | \$0 |
| <input type="radio"/> 65085 | Double, 46-30T <i>Not available with eTap shifting package or SRM Training system</i> | \$0 |
| <input type="radio"/> 65118 | Single, 36T <i>Required for eTap shifting Not available with 2x Rival shifting</i> | \$0 |

| TRAINING SYSTEMS: | | |
|-----------------------------|---|---------|
| <input type="radio"/> 65058 | Omit SRM Training System | \$0 |
| <input type="radio"/> 65151 | SRM Training System - Compact <i>Not available with the double 46-30T chainring option</i> | \$3,010 |

| SHIFTER OPTIONS: <i>(see diagram)</i> | | |
|---------------------------------------|---|---------------------------|
| <input type="radio"/> 65224 | Omit All Shifting Components <i>(see definitions)</i> | -\$240 <i>(credit)</i> |
| <input type="radio"/> 65095 | SRAM Rival 2x Trigger Shifting Package <i>Shifter & brake mounted on right pedal only</i> SRAM S-700 Shifter (wheel & cassette) SRAM Rival cassette derailleur Avid Brake Lever 11-36T 11 speed cassette Cable Driven chainring derailleur | \$0 |
| <input type="radio"/> 65088 | SRAM eTap 1x Eagle X01 Electronic Shifting Package <i>Shifter mounted on left & brake mounted on right pedal Only available with C7 wheels</i> SRAM eTap Clic Shifter SRAM eTap Eagle X01 cassette Derailleur SRAM Time Trail Brake Lever 10-50T 12 speed cassette | \$1,415 |
| <input type="radio"/> 65094 | SRAM Rival 1x Trigger Shifting Package <i>Shifter & brake mounted on right pedal only</i> SRAM S-700 Shifter SRAM Rival cassette derailleur Avid Brake Lever 11-42T 11 speed Cassette | \$0 |

| Shifting Package TE65094: Single, 36T with 11-42T Cassette | | | | | |
|--|-------|------|------|------|------|
| Cassette | | | | | |
| Cadence (Pedal RPM) | | | | | |
| | 70 | 80 | 90 | 100 | |
| High Speed (MPH) | 36x11 | 16.5 | 18.9 | 21.3 | 23.6 |
| Low Speed (MPH) | 36x42 | 4.35 | 5 | 5.6 | 6.2 |

| Shifting Package TE65088: Single, 36T with 10-50T Cassette | | | | | |
|--|-------|------|------|------|-----|
| Cassette | | | | | |
| Cadence (Pedal RPM) | | | | | |
| | 70 | 80 | 90 | 100 | |
| High Speed (MPH) | 36x10 | 18.2 | 20.8 | 23.4 | 26 |
| Low Speed (MPH) | 36x50 | 3.6 | 4.2 | 4.7 | 5.2 |

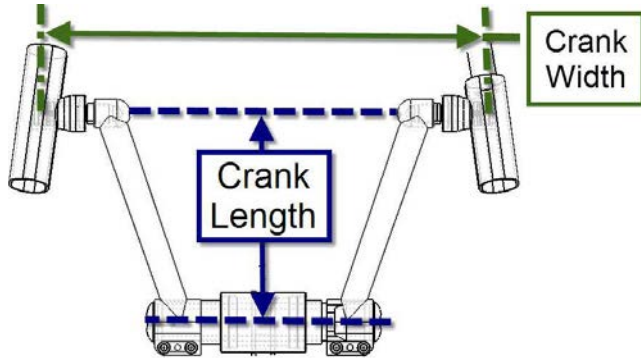
| Shifting Package TE65095: Double, 46-30T with 11-36T Cassette | | | | | |
|---|-------|-------|-------|-------|-------|
| Cassette | | | | | |
| Cadence (Pedal RPM) | | | | | |
| | 70 | 80 | 90 | 100 | |
| High Speed (MPH) | 46x11 | 21.15 | 24.17 | 27.19 | 30.21 |
| Low Speed (MPH) | 30x36 | 4.2 | 4.8 | 5.4 | 6 |

| Shifting Package TE65095: Double, 48-34T with 11-36T Cassette | | | | | |
|---|-------|-------|-------|-------|-------|
| Chainring x | | | | | |
| Cadence (Pedal RPM) | | | | | |
| | 70 | 80 | 90 | 100 | |
| High Speed (MPH) | 48x11 | 22.06 | 25.21 | 28.36 | 31.51 |
| Low Speed (MPH) | 34x36 | 4.76 | 5.43 | 6.11 | 6.79 |

Invacare® Top End® Force™ RX Handcycle

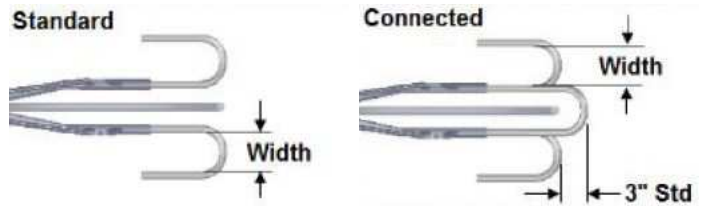


| CRANKS: <i>(see diagram below)</i> | | |
|------------------------------------|---|------|
| CRANK STYLE: | | |
| <input checked="" type="radio"/> | 65055 V Cranks | \$0 |
| CRANK LENGTH: | | |
| <input type="radio"/> | 65036 160mm Long | \$0 |
| <input type="radio"/> | 65037 165mm Long | \$0 |
| <input type="radio"/> | 65038 170mm Long | \$0 |
| <input type="radio"/> | 65039 175mm Long | \$0 |
| <input type="radio"/> | 65146 Custom Crank Length | \$54 |
| CRANK WIDTH: | | |
| <input type="radio"/> | 65005 12" Wide <i>N/A with 25 degree handpedals</i> | \$0 |
| <input type="radio"/> | 65007 13" Wide <i>N/A with 25 degree handpedals</i> | \$0 |
| <input type="radio"/> | 65009 14" Wide <i>N/A with 25 degree handpedals</i> | \$0 |
| <input type="radio"/> | 65011 15" Wide <i>N/A with 25 degree handpedals</i> | \$0 |
| <input type="radio"/> | 65013 16" Wide | \$0 |
| <input type="radio"/> | 65015 17" Wide | \$0 |
| <input type="radio"/> | 65147 Custom Crank Width | \$54 |



| HAND PEDALS: | | |
|-----------------------|---|-----|
| SIZE: | | |
| <input type="radio"/> | 65127 Medium (1-3/4") Ovalized Ergonomic | \$0 |
| <input type="radio"/> | 65113 Large (2-1/4") Ovalized Ergonomic | \$0 |
| ANGLE: | | |
| <input type="radio"/> | 65171 15 Degrees | \$0 |
| <input type="radio"/> | 65172 25 Degrees <i>Only Available with eTap shifting and crank widths of 16" or wider</i> | \$0 |
| POWER PLATES: | | |
| <input type="radio"/> | 65139 Omit Power Plates | \$0 |
| <input type="radio"/> | 65138 Power Plates <i>Required with eTap shifting</i> | \$0 |

| FOOTREST OPTIONS: <i>(see diagram below)</i> | | |
|--|--|-------|
| <input type="radio"/> | 60008 Standard Footrests, 3-3/4" Wide | \$0 |
| <input type="radio"/> | 60009 Standard Footrests, 4-3/4" Wide | \$0 |
| <input type="radio"/> | 60017 Connected Footrest 3-3/4" Wide with Bumper <i>Not recommended for users under 5'8". Not available with disc brake or wide fork options</i> | \$120 |
| <input type="radio"/> | 60018 Connected Footrest 4-3/4" Wide with Bumper <i>Not recommended for users under 5'8". Not available with disc brake or wide fork options</i> | \$120 |



| UPHOLSTERY: | | |
|----------------------------------|---------------------------------------|-----|
| MATERIAL: | | |
| <input checked="" type="radio"/> | 30001 Nylon, Black Upholstery | \$0 |
| BACK UPHOLSTERY: | | |
| <input checked="" type="radio"/> | 25064 Back Cushion | \$0 |
| SEAT UPHOLSTERY: | | |
| <input checked="" type="radio"/> | 25063 Seat Cushion | \$0 |
| <input checked="" type="radio"/> | 25060 Hook and Loop Positioning Strap | \$0 |

| FRAME COLORS: | | | | |
|-----------------------|-------|--------|--------------------|-------|
| <input type="radio"/> | 55018 | Black | Wet Black | \$0 |
| <input type="radio"/> | 55019 | Black | Black Prism | \$0 |
| <input type="radio"/> | 55017 | Black | Stealth Black | \$0 |
| <input type="radio"/> | 55010 | Blue | Midnight Blue | \$0 |
| <input type="radio"/> | 55011 | Blue | Royal Blue | \$0 |
| <input type="radio"/> | 55012 | Blue | Electric Blueberry | \$0 |
| <input type="radio"/> | 55023 | Grey | Stealth Grey | \$0 |
| <input type="radio"/> | 55053 | Green | Agriculture Green | \$0 |
| <input type="radio"/> | 55008 | Green | Grasshopper Green | \$0 |
| <input type="radio"/> | 55054 | Green | Neon Green | \$0 |
| <input type="radio"/> | 55006 | Orange | Sunkissed Orange | \$0 |
| <input type="radio"/> | 55005 | Orange | Simple Orange | \$0 |
| <input type="radio"/> | 55051 | Orange | Neon Orange | \$0 |
| <input type="radio"/> | 55015 | Pink | Bubblegum Pink | \$0 |
| <input type="radio"/> | 55057 | Pink | Neon Pink | \$0 |
| <input type="radio"/> | 55055 | Purple | Lilac Purple | \$0 |
| <input type="radio"/> | 55001 | Red | Simple Red | \$0 |
| <input type="radio"/> | 55002 | Red | Tangerine Red | \$0 |
| <input type="radio"/> | 55003 | Red | Raspberry Red | \$0 |
| <input type="radio"/> | 55050 | Red | Neon Red | \$0 |
| <input type="radio"/> | 55020 | Silver | Silver Metallic | \$0 |
| <input type="radio"/> | 55016 | White | White Snow | \$0 |
| <input type="radio"/> | 55007 | Yellow | Safety Yellow | \$0 |
| <input type="radio"/> | 55052 | Yellow | Neon Yellow | \$0 |
| <input type="radio"/> | 55066 | Raw | Buffed Aluminum | \$421 |

Invacare® Top End® Force™ RX Handcycle



| FORK COLOR: | | | | |
|-----------------------|-------|--------|---|-------|
| <input type="radio"/> | 55067 | N/A | Same as Frame Color <i>Not applicable with 55066 (buffed frame), must select 55044 (buffed fork)</i> | \$0 |
| <input type="radio"/> | 55041 | Black | Wet Black | \$120 |
| <input type="radio"/> | 55042 | Black | Black Prism | \$120 |
| <input type="radio"/> | 55040 | Black | Stealth Black | \$120 |
| <input type="radio"/> | 55033 | Blue | Midnight Blue | \$120 |
| <input type="radio"/> | 55034 | Blue | Royal Blue | \$120 |
| <input type="radio"/> | 55035 | Blue | Electric Blueberry | \$120 |
| <input type="radio"/> | 55046 | Gray | Stealth Grey | \$120 |
| <input type="radio"/> | 55061 | Green | Agriculture Green | \$120 |
| <input type="radio"/> | 55031 | Green | Grasshopper Green | \$120 |
| <input type="radio"/> | 55062 | Green | Neon Green | \$120 |
| <input type="radio"/> | 55029 | Orange | Sunkissed Orange | \$120 |
| <input type="radio"/> | 55028 | Orange | Simple Orange | \$120 |
| <input type="radio"/> | 55059 | Orange | Neon Orange | \$120 |
| <input type="radio"/> | 55038 | Pink | Bubblegum Pink | \$120 |
| <input type="radio"/> | 55065 | Pink | Neon Pink | \$120 |
| <input type="radio"/> | 55063 | Purple | Lilac Purple | \$120 |
| <input type="radio"/> | 55024 | Red | Simple Red | \$120 |
| <input type="radio"/> | 55025 | Red | Tangerine Red | \$120 |
| <input type="radio"/> | 55026 | Red | Raspberry Red | \$120 |
| <input type="radio"/> | 55058 | Red | Neon Red | \$120 |
| <input type="radio"/> | 55043 | Silver | Silver Metallic | \$120 |
| <input type="radio"/> | 55039 | White | White Snow | \$120 |
| <input type="radio"/> | 55030 | Yellow | Safety Yellow | \$120 |
| <input type="radio"/> | 55060 | Yellow | Neon Yellow | \$120 |
| <input type="radio"/> | 55044 | Raw | Buffed Aluminum | \$241 |

| DECAL COLORS: <i>(decals are reflective)</i> | | | |
|--|-------|--------------------|-----|
| FRAME DECAL COLOR: | | | |
| <input type="radio"/> | 55071 | Black Frame Decals | \$0 |
| <input type="radio"/> | 55072 | White Frame Decals | \$0 |
| FORK DECAL COLOR: | | | |
| <input type="radio"/> | 55073 | Black Fork Decals | \$0 |
| <input type="radio"/> | 55074 | White Fork Decals | \$0 |

| ACCESSORIES: | | | |
|----------------------------------|-------|---|-------|
| STANDARD: | | | |
| <input checked="" type="radio"/> | 25061 | Safety Flag | \$0 |
| <input checked="" type="radio"/> | 25067 | Drafting Bumper | \$0 |
| <input checked="" type="radio"/> | 25071 | Adjustable Headrest | \$0 |
| <input checked="" type="radio"/> | 25038 | Mirror, Chain Guard Mounted | \$0 |
| UPGRADABLE: | | | |
| SAFETY: | | | |
| <input type="radio"/> | 25030 | Extra Steering Dampener | \$18 |
| <input type="radio"/> | 25015 | Light, Front <i>(White)</i> | \$18 |
| <input type="radio"/> | 25016 | Light, Rear <i>(Red)</i> | \$18 |
| <input type="radio"/> | 25039 | Leg Guard | \$90 |
| <input type="radio"/> | 60015 | Leg Support, Curved <i>(Pair)</i> | \$157 |
| POSITIONING: | | | |
| <input type="radio"/> | 25001 | Click Strap, 8" Small | \$90 |
| <input type="radio"/> | 25002 | Click Strap, 10" Medium | \$97 |
| <input type="radio"/> | 25003 | Click Strap, 12" Large | \$109 |
| HYDRATION: | | | |
| <input type="radio"/> | 25021 | Water Bottle and Cage | \$60 |
| PERFORMANCE ENHANCEMENT: | | | |
| <input type="radio"/> | 25023 | Crank Width Adaptor Set <i>Not installed - (Gain +1.5" of crank width per set)</i> | \$24 |
| <input type="radio"/> | 25024 | Cordless Computer <i>(tracks speed, distance, etc.)</i> | \$120 |
| <input type="radio"/> | 25076 | Garmin <i>(tracks speed, distance, etc.)</i> | \$602 |
| TRAINING: | | | |
| <input type="radio"/> | 25036 | Indoor Stationary Roller | \$301 |
| <input type="radio"/> | 25037 | Sportsrafter Mini Roller | \$421 |

Invacare® Top End® Force™ RX Handcycle



| HANDCYCLE SPECIFICATIONS: | |
|-------------------------------|---|
| Weight: | Approximately 28 pounds |
| Turning Radius: | 18 feet for 360 degree circle, 12 feet on a 3-point turn |
| Transfer Height: | 5" from ground with 2" cushion |
| Frame Style: | Ovalized 7005 Aluminum tubing which is heat treated for increased strength and stiffness. |
| Fork: | Removable, Travel ready, with adjustable cranks |
| Propulsion / Shifting: | 11 - 22 speeds with choice of shifting components |
| Fork Style: | Adjustable length and height options |
| Back: | Carbon Fiber, adjustable angle from 50 to 70 degrees |
| Footrest: | Dual adjustable length, includes straps |
| Hand Pedals: | Ovalized ergonomic with frictionless bearings |
| Brake: | Caliper brakes standard, optional front disk brake |
| Wheelbase: | 60" to 63" depending on wheel selection. See definitions |
| Camber: | 3 or 0 degree available |
| Wheels: | 20", 26" or 700c wheels with optional upgrades |
| Axles: | Threaded |
| Tires: | Standard tires provided. Exact brand varies based on availability |
| Positioning Straps: | Hook and loop positioning strap included |
| Cushions: | Seat and back cushion included |
| Safety / Visibility: | Flag and reflectors included |
| Chain Guard: | Carbon Fiber chain guard included |

Warranty Info:

Invacare warrants the frames and forks when purchased new and unused to be free from defects in materials and workmanship for a period of three (3) years from the date of purchase from Invacare or a dealer, with a copy of the seller's invoice required for coverage under this warranty. Invacare warrants the upholstered materials (seat and back) and remaining components of this product when purchased new and unused to be free from defects in materials and workmanship for a period of thirteen (13) months from date of purchase from Invacare or a dealer, with a copy of the seller's invoice required for coverage under this warranty

EXCLUSIONS AND DEFINITIONS:

| | |
|---|---|
| Top End Force RX Frame and Fork: | The Top End Force RX handcycle is made of 7005 series aluminum. An adjustable carbon fiber backrest and an adjustable bolt-on headrest are included. Speeds vary between 11 and 22 depending on shifting selections. |
| Assembled vs Unassembled and shipping: | If TE10046 (Unassembled) is selected the bike will require about 60 minutes of assembly upon delivery (instructions provided). If TE10047 (Assembled) is selected the bike will be mostly assembled upon delivery. Shipping rate is \$150 for all shipments in the continental US. Freight quotes for shipments outside the continental US are available upon request. |
| Wheel Sets: | Wheel sets include a front wheel, two rear wheels with axles, tires and tubes. |
| Tires: | Standard tires included. |
| Fork Style: | Fork adjustment range is about: 19" to 21.5" with a 26" front wheel & 20" to 22.5" with a 700c front wheels |
| Connected Footrests: | The connected footrests are not recommended for athletes under 5'8" (1.77m) and are not available with disc brake or wide fork options. |
| eTap Electronic Shifting: | E Tap is a wireless electronic shifting system. Power Plate upgrade required. Limited chainring selections available and only available with C7 wheels. |
| Power Plates: | Required with eTap shifting package |
| Omit Wheels: | When an omit wheels option is selected the following will NOT be included. Front or rear wheels, tires, tubes, axles. When a shifting package is selected the cassette from that package will be included. |
| Wheelbase: | Wheelbase is measured from the middle of the rear axle to the middle of the front hub. When Standard length is chosen wheelbase will be 60" with a 26" front wheel and 61" with a 700c front wheel. When extended length is chosen wheelbase will be 61" with 26" front wheel and 63" with a 700c front wheel. |
| Braking Options: | The Tektro braking package includes a caliper and cables for the hand brake lever included in the shifting package and flip lever parking brake assembly. The disc brake braking package includes a disc brake rotor, caliper, cables and a Tektro flip lever parking brake assembly. |
| Omit Shifting: | When omit shifting option is selected the shifter, chainring derailleur, cassette derailleur, cassette, friction shifter for brake caliper, chain and shifter cables will NOT be included. The handpedals and fork will be made at accept trigger shifter components mounted on the right handpedal. A hand brake lever, caliper and cables as well as a flip-lever parking brake will be included. The brand/style is determined by the braking option selected. |
| 25 Degree Handpedal Angle: | Only available with eTap shifting package due to interference. Not available with crank widths of 12"-15". |
| SRM Training System: | Only available with the 48-34 double chainring option |

Note: All Special requests are subject to approval, additional charges, and additional lead time

| | |
|--------------------|--|
| Special Request 1) | |
| Special Request 2) | |
| Special Request 3) | |
| Special Request 4) | |
| Special Request 5) | |