

ORDER	
CALCULATION	

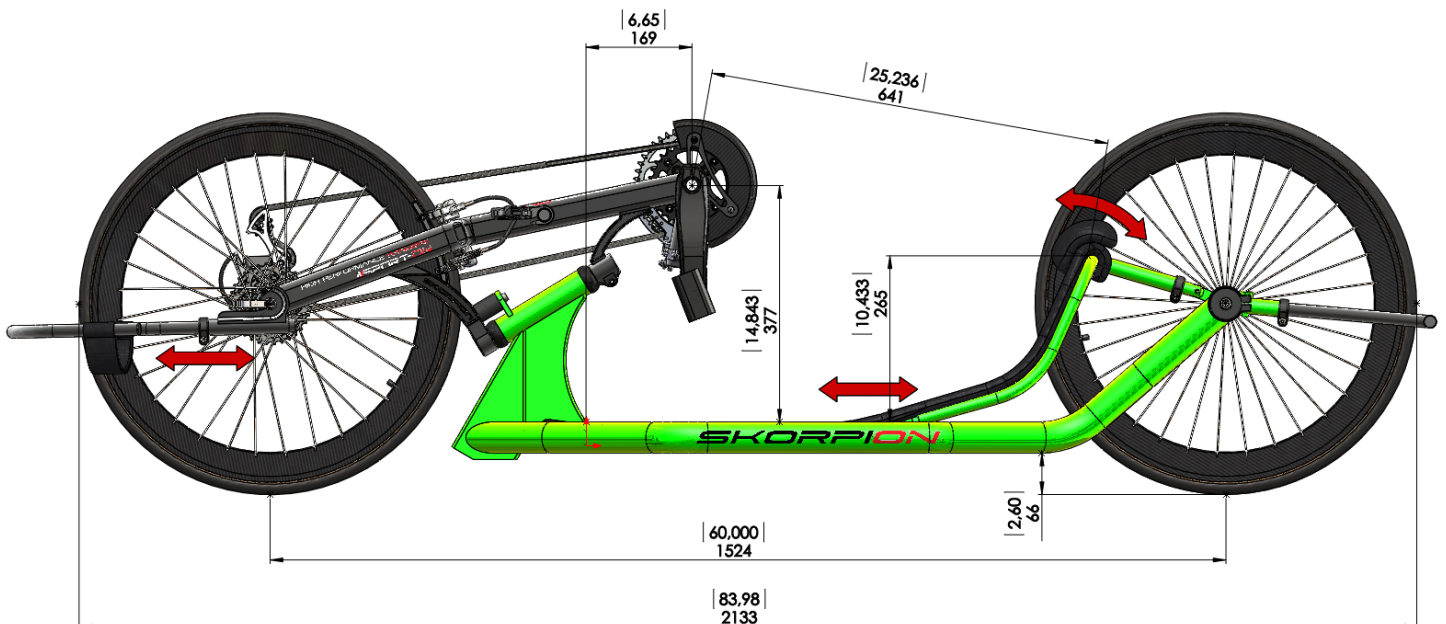
CONTACT & PERSONAL INFORMATIONS

Name:
Email Address:
Phone:
Address:
Zip Code:
City:
Province or State:
Country:
Type of Injury:
Height:
Weight:

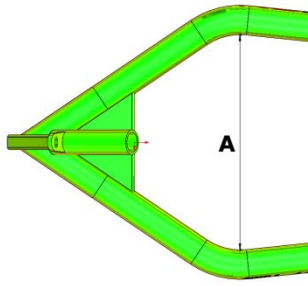
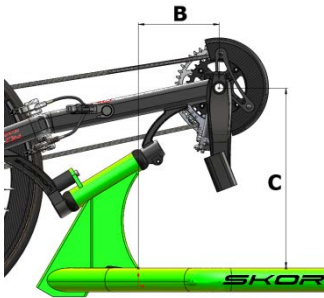
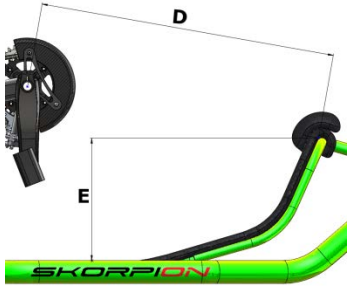
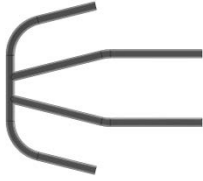
STANDARD FEATURES

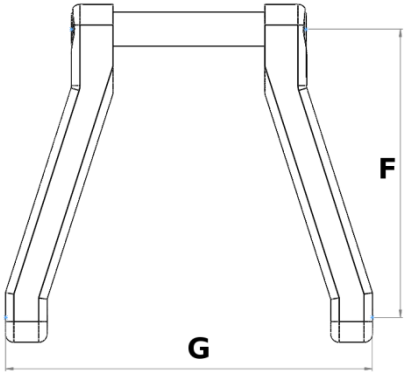
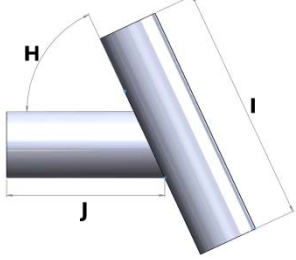
Frame material: 7020/6082 aluminium alloy
Front wheel: Mavic Open Pro 650C / Shimano 105 / Clincher 650x23C Michelin or Continental
Rear wheels: Mavic Open Pro 650C / Novatec NT-A141SB / Clincher 650x23C Michelin or Continental
Rear axles: threaded
Components: 3x10spd Shimano 105
Crank: 172,5mm 50x39x30T
Cassette: Shimano 11-32T
Brakes: primary brake + safety / parking brake
Brake levers/shifters: fork mounted
Seat: cushion with adjustable sling tension
Backrest: adjustable horizontal position and angle
Chain guard: carbon
Hand pedals: aluminium, ovalized, ergonomic, angle 25°
Footrests: multi-position adjustable, aerodynamic
Drafting bumper: aluminium with safety flag brackets
Safety on road: two safety flags
Colours: powder coated, two-tone paint. Wide range of RAL palette colours
Weight: 13,6 kg (Specific options decreases the weight)

STANDARD DIMENSIONS AND ADJUSTABILITY:



Standard dimensions are suitable for 1,65m - 1,80m user height with average body build.

USER MEASUREMENT										
Seat width [mm]			Bottom Bracket position [mm]			Backrest position [mm]			Footrest	
										
350	370	390	Standard	Custom	Adjustable	Standard	Custom	Adjustable	Normal For legs 700-950mm	Short For legs 500-700mm
			Crank-to-Frame clearance: C-20-F (or standard 172,5mm) = mm (+/-10mm)							
			not applicable							

UPGRADES										
Groupset Shimano (brake calipers, STI shifter)		Crank			Hand Pedals		Wheels		Backrest	
Standard		2spd 50x34T	3spd 50x39x30T	Standard		Standard		Standard		
Ultegra				Custom pedals		Carbon		Carbon*		
Dura-Ace			Not applicable			20 inch*				
		Standard								
		Ultegra								
		Dura-Ace								
		Custom crank								
										
		F			H					
		G			I					
		Ring Sizes			J					
							* Rear wheels only. Ask for availability		* Ask for availability	

TETRAPLEGIC		Your message or special needs	
Quad handles			
Elbow brake/shifter			
Electric Assist* * recreational use only			

COLOURS		
RAL 1		Main frame, backrests (if aluminium)
RAL 2		Fork, footrest, drafting bumper
Custom		
RAL colour chart: http://www.ralcolor.com/		

