



P.O. number:* _____ Date: _____

Company Name:* _____ Phone:* _____

Purchasing contact:* _____

Clinician/Sales rep/ATP: _____

Email: _____

Marked for: _____

Ship to:* _____

Name: _____

Address: _____

City: _____ State: _____

Zip Code: _____

Phone: _____

* Required

MODEL		English Manual (STD)	Spanish Manual	Taxes not included	USD
1	WC20	Ultralight VELOCE Wheelchair (265 lb weight limit)		K0005	\$4 795 <input type="checkbox"/>
2	WC09	HD Heavy Duty package (350 lb weight capacity)			\$500 <input type="checkbox"/>
3	WC10	E-Motion adaptor Kit (2 adaptors) - Only necessary with 6° camber			\$30 <input type="checkbox"/>

SEAT WIDTH ³										
4	SW	Seat width:	14" <input type="checkbox"/>	15" <input type="checkbox"/>	16" <input type="checkbox"/>	17" <input type="checkbox"/>	18" ² <input type="checkbox"/>	19" ² <input type="checkbox"/>		NC <input type="checkbox"/>
5	SW	Seat width:	20" ² <input type="checkbox"/>						E2201	\$495 <input type="checkbox"/>

SEAT DEPTH										
6	SD	Seat depth:	14" ¹ <input type="checkbox"/>	15" <input type="checkbox"/>	16" <input type="checkbox"/>	17" <input type="checkbox"/>	18" <input type="checkbox"/>	19" <input type="checkbox"/>		NC <input type="checkbox"/>
7	SD	Seat depth:	20" <input type="checkbox"/>						E2203	\$475 <input type="checkbox"/>

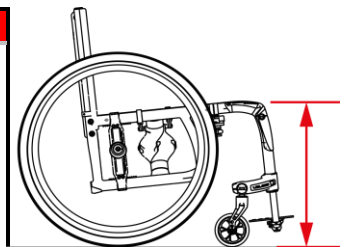
1 - Depth achieved with 15" frame 2 - Available with HD option [3. Width calculator](#)

FRAME LENGTH (Seat sling depth plus distance from seat sling to front of frame) ¹						
8	SP01	Standard frame length configuration ²				STD <input type="checkbox"/>
9	SP02	Frame length 1" longer than standard configuration				NC <input type="checkbox"/>
10	SP03	Frame length 2" longer than standard configuration				NC <input type="checkbox"/>
11	SP04	Frame length 1" shorter than standard configuration				NC <input type="checkbox"/>
12	SP05	Frame length 2" shorter than standard configuration				NC <input type="checkbox"/>

1- See chart on page 6 2- 4.375" from seat sling to front frame

FRONT Seat-to-floor height

Caster sizes	Height available +- 1/4"	
3" Caster	14" to 21"	Specify desired height: _____ (inches)
4" Caster	14.5" to 21"	
5" Caster	15.5" to 21"	
6" Caster	16.5" to 21" (N/A with 90° front frame)	



CASTERS							
13	CA01	Composite wheel w/ PU tire (1" width)	3" <input type="checkbox"/>	4" <input type="checkbox"/>	5" <input type="checkbox"/>	6" <input type="checkbox"/>	NC <input type="checkbox"/>
14	CA10	Pneumatic casters 6" x 1 1/4"					\$160 <input type="checkbox"/>
15	CA14	Newton UltraCaster <i>Soft-Roll</i> Composite	4" x 1 1/2 "				\$80 <input type="checkbox"/>
16	CA15		5" x 1 1/2 "				\$80 <input type="checkbox"/>
17	CA16		6" x 1 1/2 "				\$80 <input type="checkbox"/>
18	CA17		4" x 1 1/2 "				\$175 <input type="checkbox"/>
19	CA18	Newton UltraCaster <i>Soft-Roll</i> Aluminum	5" x 1 1/2 "				\$185 <input type="checkbox"/>
20	CA19		6" x 1 1/2 "				\$195 <input type="checkbox"/>

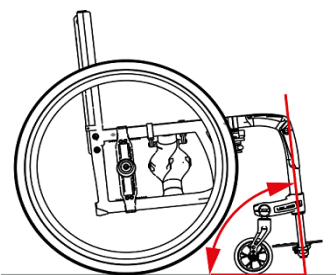
CASTER OPTIONS							
21	CA13	Carbon fiber Frog Legs suspension forks (Not available with caster pin locks)				E1015	\$475 <input type="checkbox"/>

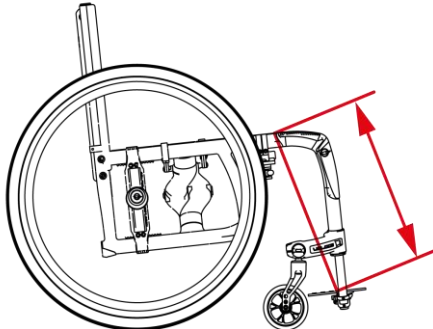
Veloce - REAR Seat-to-floor Height

WHEEL SIZES	Height available	
22" (501) wheel <input type="checkbox"/>	13 1/2 to 18 1/4	Specify desired height: <hr style="border: 0; border-top: 1px solid black; width: 100%; margin-top: 10px;"/>
24" (540) wheel <input type="checkbox"/>	14 1/2 to 19 1/4	
25" (559) wheel <input type="checkbox"/>	15 to 19 3/4	
26" (590) wheel <input type="checkbox"/>	15 1/2 to 20 1/4	

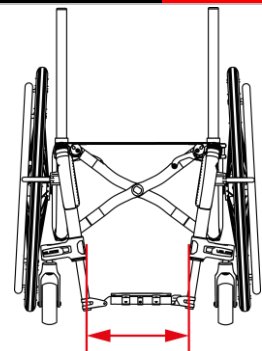
Configuration used: 1" seat slope with a center of gravity at 2"

Note: Tire size, center of gravity setting and seat slope may result in a variation of +/- 1/2" of selected seat to floor height"

FRONT FRAME ANGLE					
22	FA70	70° Front Frame Angle			NC <input type="checkbox"/>
23	FA75	75° Front frame angle		NC <input type="checkbox"/>	
24	FA80	80° Front Frame Angle		NC <input type="checkbox"/>	
25	FA85	85° Front frame angle		NC <input type="checkbox"/>	
26	FA90	90° Front Frame Angle		NC <input type="checkbox"/>	

SEAT TO FOOTREST HEIGHT	
Set Length to ¹: 1 - +/- 1/2"	Length must be at least 1 3/4" shorter than front seat-to-floor height
	

Footrest width / Taper selection				
Seat Width	Straight ¹	1" Taper		
Outside Measurement	2 1/2" Narrower than Seat Width	4 1/2" Narrower than Seat Width		
14"	11.5"	9.5"		
15"	12.5"	10.5"		
16"	13.5"	11.5"		
17"	14.5"	12.5"		
18"	15.5"	13.5"		
19"	16.5"	14.5"		
20"	17.5"	15.5"		



¹ - May interfere with auto-folding and flip-up footplates

FOOTPLATES							
27	FP06	One piece adjustable angle flip-up (<i>Aluminum</i>)			K0040	NC	<input type="checkbox"/>
28	FP07	One piece adjustable angle flip-up (<i>Carbon fiber with rubber inserts</i>)			K0040	\$435	<input type="checkbox"/>
29	FP28	One piece auto-folding adjustable angle (<i>Aluminum</i>)			E0951	\$288	<input type="checkbox"/>
30	FP29	One piece auto-folding adjustable angle (<i>Carbon fiber with rubber inserts</i>)			E0951	\$352	<input type="checkbox"/>
31	FP02	Newton adjustable angle footplate (<i>Composites - Two piece</i>)			K0040	\$210	<input type="checkbox"/>
32	FP03	Newton adjustable angle (<i>Aluminum - Two piece</i>)			K0040	\$230	<input type="checkbox"/>
33	FP04	Newton adjustable angle footplate (<i>Carbon fiber with rubber inserts - Two piece</i>)			K0040	\$415	<input type="checkbox"/>
FOOTPLATE ACCESSORIES							
34	FP08	Length adjustable heel loop (<i>not available with one piece footplate</i>)			E0951	\$40	<input type="checkbox"/>
35	FP09	Calf strap			K0038	\$35	<input type="checkbox"/>
36	FP30	Bodypoint Aeromesh Padded calf strap				\$115	<input type="checkbox"/>

Backrest											
FIXED HEIGHT, NO PUSH HANDLE OPTIONS											
37	BC03	Ultralight carbon fiber back cane	9" <input type="checkbox"/>	12" <input type="checkbox"/>	15" <input type="checkbox"/>	18" STD <input type="checkbox"/>	21" <input type="checkbox"/>			NC	<input type="checkbox"/>
38	BC04	8° bend carbon fiber back cane		13 ½" <input type="checkbox"/>	15" <input type="checkbox"/>	18" STD <input type="checkbox"/>				\$50	<input type="checkbox"/>
HEIGHT ADJUSTABLE WITH PUSH HANDLES											
39	BC06	Straight carbon fiber back cane	9 - 12" <input type="checkbox"/>	12 - 15" <input type="checkbox"/>	15 - 18" <input type="checkbox"/>	18 - 21" STD <input type="checkbox"/>				NC	<input type="checkbox"/>
40	BC08	8° bend Carbon fiber back cane		13 ½ - 15" <input type="checkbox"/>	15 - 18" <input type="checkbox"/>	18 - 21" STD <input type="checkbox"/>				\$50	<input type="checkbox"/>
HEIGHT AND ANGLE ADJUSTABLE WITH PUSH HANDLE OPTIONS											
41	BC09	Straight carbon fiber back cane		12 - 15" <input type="checkbox"/>	15 - 18" <input type="checkbox"/>	18 - 21" STD <input type="checkbox"/>				\$200	<input type="checkbox"/>
42	BC10	8° bend carbon fiber back cane		13 ½ - 15" <input type="checkbox"/>	15 - 18" <input type="checkbox"/>	18 - 21" STD <input type="checkbox"/>				\$250	<input type="checkbox"/>
43		Select back cane angle:	85° ¹ <input type="checkbox"/>	90° <input type="checkbox"/>	95° STD <input type="checkbox"/>	100° <input type="checkbox"/>	105° <input type="checkbox"/>	110° <input type="checkbox"/>			
Set height to: ²		<i>(measured from seat sling to top of back upholstery)</i>									
PUSH HANDLE OPTIONS											
44	PH01	Push handles								NC	<input type="checkbox"/>
45	PH05	Fold down push handles ^{3, 5}								\$120	<input type="checkbox"/>
46	PH06	Clamp on height adjustable push handle ^{3, 4, 5}	9 - 20" STD <input type="checkbox"/>		9-23" <input type="checkbox"/>					\$300	<input type="checkbox"/>
47	PH02	Omit push handles								NC	<input type="checkbox"/>

1 - Not available with a 8 degree bend cane 2 - If not indicated, default height setting is at the lowest position 3 - 265 pounds weight limit

4 - Not compatible with swing away armrests, 8° bend back canes

5 - Not compatible with stroller handle, stabilizer bar, headrest and attendant lock

BACK UPHOLSTERY											
48	BH07	Slip-on Active-Mesh back upholstery								STD	<input type="checkbox"/>
49	BH08	Adjustable tension Active-Mesh back upholstery						E2611		\$300	<input type="checkbox"/>
50	BH99	Omit Back upholstery								NC	<input type="checkbox"/>

SEAT CUSHION											
51	SC01	2" Cushion								\$165	<input type="checkbox"/>
52	SC02	3" Cushion								\$185	<input type="checkbox"/>
53	SC99	Omit seat cushion								STD	<input type="checkbox"/>

Rear wheels											
ONE ARM DRIVE¹ Only available with Newton One rear wheels with Aluminum, Plastic coated Handrims											
54	HR22	One arm drive ^{2,3}	24"	left <input type="checkbox"/>	right <input type="checkbox"/>				\$1 395	<input type="checkbox"/>	
55	HR98	Omit handrim on opposite side of the One Arm Drive (OAD)							NC	<input type="checkbox"/>	
REAR WHEELS											
56	RW01	Mag ⁴	22" <input type="checkbox"/>	24" <input type="checkbox"/>					\$50	<input type="checkbox"/>	
57	RW02	Newton One - spoke wheel ⁵	22" <input type="checkbox"/>	24" <input type="checkbox"/>					NC	<input type="checkbox"/>	
58	RW03	Newton Gravity - ultralight wheel	22" <input type="checkbox"/>	24" <input type="checkbox"/>	25" <input type="checkbox"/>	26" <input type="checkbox"/>			\$300	<input type="checkbox"/>	
59	RW04	Spinerigy Spox	22" <input type="checkbox"/>	24" <input type="checkbox"/>	25" <input type="checkbox"/>	26" <input type="checkbox"/>			\$795	<input type="checkbox"/>	
60		Spinerigy Spox spokes colors ⁶	Blk STD <input type="checkbox"/>	Wht <input type="checkbox"/>	Blue <input type="checkbox"/>	Red <input type="checkbox"/>	Yel <input type="checkbox"/>		NC	<input type="checkbox"/>	
61	RW05	Spinerigy LX	22" <input type="checkbox"/>	24" <input type="checkbox"/>	25" <input type="checkbox"/>	26" <input type="checkbox"/>			\$995	<input type="checkbox"/>	
62		Spinerigy LX spokes colors ⁶	Blk STD <input type="checkbox"/>	Pur <input type="checkbox"/>	Wht <input type="checkbox"/>	Blue <input type="checkbox"/>	Red <input type="checkbox"/>	Yel <input type="checkbox"/>	Pink <input type="checkbox"/>	Grn <input type="checkbox"/>	Org <input type="checkbox"/>
63	RW07	Spinerigy CLX Carbon Blade ⁵		24" <input type="checkbox"/>	25" <input type="checkbox"/>				\$1 480	<input type="checkbox"/>	
64		Spinerigy CLX spokes colors ⁶	Blk STD <input type="checkbox"/>	Pur <input type="checkbox"/>	Wht <input type="checkbox"/>	Blue <input type="checkbox"/>	Red <input type="checkbox"/>	Yel <input type="checkbox"/>	Pink <input type="checkbox"/>	Grn <input type="checkbox"/>	Org <input type="checkbox"/>
TIRES											
								Available			
65	TI01	Soft Urethane 1 1/4"						22" 24"	E2218	NC	<input type="checkbox"/>
66	TI02	Soft Urethane knobby 1 3/8"						22", 24", 25", 26"	E2218	\$95	<input type="checkbox"/>
67	TI04	Soft Urethane - Shox 1"						22", 24", 25", 26"	E2218	\$115	<input type="checkbox"/>
68	TI05	Pneumatic 1 3/8"						22", 24", 25", 26"	E2211/E2212	NC	<input type="checkbox"/>
69	TI08	Pneumatic with Airless insert 1 3/8" ⁷						22", 24", 26"	E2211/E2213	\$80	<input type="checkbox"/>
70	TI06	Pneumatic HP - 1"						22", 24", 25", 26"	E2211/E2212	\$95	<input type="checkbox"/>
71	TI07	Pneumatic HP - Schwalbe Marathon Plus 1"						24", 25", 26"	E2211/E2212	\$125	<input type="checkbox"/>

1- Offered with handrims on each side of the wheelchair

2- Only standard handrim position available

3- Not available with HD option

4 - Not compatible with HP tires ; Only available with aluminum or plastic coated handrim in standard position

5 - Not compatible with Shox tires

6 - Colour spokes require an additional 10 days lead-time

7-Only available with Mag, Newton One and Newton Gravity rear wheels

Handrims											
HANDRIM											
72	HR01	Aluminum anodized							STD	<input type="checkbox"/>	
73	HR61	Aluminum black hard anodized ^{1,3}						New	\$60	<input type="checkbox"/>	
74	HR02	Plastic coated ²							\$95	<input type="checkbox"/>	
75	HR03	Q-Grip High friction Neoprene coated ^{2,3,4}							\$350	<input type="checkbox"/>	
76	HR07	Newton Air Grip ³	Black <input type="checkbox"/>						\$95	<input type="checkbox"/>	
77	HR	Newton Air Grip ³	(08) Sunkissed Orange <input type="checkbox"/>	(09) Burgundy <input type="checkbox"/>	(10) Sapphire Blue <input type="checkbox"/>	(11) Monster Green <input type="checkbox"/>	(12) Charcoal <input type="checkbox"/>	(13) Fuchsia <input type="checkbox"/>	(14) Steel Blue <input type="checkbox"/>	\$240	<input type="checkbox"/>
			(15) Ferrari Red <input type="checkbox"/>	(16) Acid Green <input type="checkbox"/>	(17) White <input type="checkbox"/>	(18) Sky Blue <input type="checkbox"/>					
78	HR28	Surge ^{2,3,4}	(1-1/2" Oval handrim w/ Gripton high friction strip)						\$375	<input type="checkbox"/>	
79	HR05	Surge LT ^{2,3,4}	(1-1/8" Oval handrim w/ Gripton high friction strip)						\$405	<input type="checkbox"/>	
80	HR04	Natural Fit ^{2,3,4}							\$310	<input type="checkbox"/>	
81	HR99	Omit handrim							NC	<input type="checkbox"/>	

1 - Not available in 26"

2- Only standard handrim position available

3- Not available with Mag wheels or OAD

4- Not available in 20"

Handrims option										
Assembly position for aluminum and Newton AirGrip handrims										
82	HR29	Standard Handrim position	Full tab						STD	<input type="checkbox"/>
83	HR30	Narrow Handrim position	Short tab 2 positions						\$25	<input type="checkbox"/>
84	HR31	Super Narrow Handrim	Short tab 2 positions STD <input type="checkbox"/>	Short tab 1 position <input type="checkbox"/>					\$25	<input type="checkbox"/>
Thumb piece⁴ selection for Natural Fit handrims										
85	HR23	Standard grip							\$85	<input type="checkbox"/>
86	HR27	Super grip							\$140	<input type="checkbox"/>
87	HR099	Omit thumb piece							NC	<input type="checkbox"/>

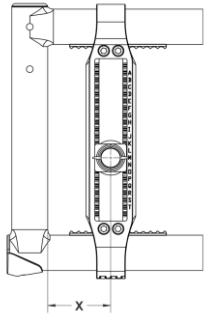
4- Compatible with Surge, Surge LT handrims

AXLE ¹										
88	AX01	Quick release axle							STD	<input type="checkbox"/>
89	AX03	Quad release axle						K0108	\$125	<input type="checkbox"/>

1- Not required with one arm drive

REAR WHEEL CAMBER ANGLE										
90	CM00	0° camber							NC	<input type="checkbox"/>
91	CM03	3° camber							NC	<input type="checkbox"/>
92	CM06	6° camber							\$150	<input type="checkbox"/>

CENTER OF GRAVITY



Choose position of rear wheel axle plate:

Measure distance X from front of back post to center of axle receiver.

X =	Most stable								Most responsive				
	1"	1/4"	1/2"	3/4"	2"	1/4"	1/2"	3/4"	3"	1/4"	1/2"	3/4"	4"
	<input type="checkbox"/>	<input type="checkbox"/>	<input type="checkbox"/>	<input type="checkbox"/>	<input type="checkbox"/>	<input type="checkbox"/>	<input type="checkbox"/>	<input type="checkbox"/>	<input type="checkbox"/>	<input type="checkbox"/>	<input type="checkbox"/>	<input type="checkbox"/>	<input type="checkbox"/>

If not indicated, default setting is at 1.5"

Possible conflict between a seat depth under 16" and a center of gravity over 2.5".

Possible conflict between a 26" rear wheel and a center of gravity over 2.5".

If a configuration issue arises due to the choice of the Center Of Gravity (COG) Motion Composites reserves the right to reduce or increase the COG to the closest position.

WHEEL LOCK											
93	WL08	Newton Wheel lock - push to lock							STD	<input type="checkbox"/>	
94	WL02	Pull to lock							NC	<input type="checkbox"/>	
95	WL04	Newton grade aid push to lock (suggested with pneumatic or high pressure tire)							E0974	\$150	<input type="checkbox"/>
96	WL13 WL14	6" removable extension handle							E0961	\$75	<input type="checkbox"/>
97	WL05	Scissor Lock							\$140	<input type="checkbox"/>	
98	WL99	Omit wheel locks							NC	<input type="checkbox"/>	

Armrests										
FLIP BACK ARMREST (Convertible to "T" armrest) ¹		Height Adjustment				Removable function				
99	AR01	10" Desk Length	8 - 12" STD <input type="checkbox"/>	10 - 14" <input type="checkbox"/>	Locked <input type="checkbox"/>	Unlocked <input type="checkbox"/>	STD	\$350	<input type="checkbox"/>	
100	AR02	14" Full Length	8 - 12" STD <input type="checkbox"/>	10 - 14" <input type="checkbox"/>	Locked <input type="checkbox"/>	Unlocked <input type="checkbox"/>	STD	\$350	<input type="checkbox"/>	
"T" ARMREST ¹		Height Adjustment								
101	AR03	10" Desk Length	8 - 12" STD <input type="checkbox"/>	10 - 14" <input type="checkbox"/>			E0973	\$325	<input type="checkbox"/>	
102	AR04	14" Full Length	8 - 12" STD <input type="checkbox"/>	10 - 14" <input type="checkbox"/>			E0973	\$325	<input type="checkbox"/>	
SWING AWAY ARMREST ²		Height Adjustment								
103	AR05	Tubular arm pad	8 - 11"				E0973	\$225	<input type="checkbox"/>	
104	AR06	10" Desk length arm pad	8 - 11"				E0973	\$225	<input type="checkbox"/>	
GEL ARM PAD ³										
105	AR12	14" Full Length Arm Pad - Gel Ovation							\$150	<input type="checkbox"/>
106	AR99	Omit armrest							NC	<input type="checkbox"/>

1 - May have a 1/2" adjustment restriction on both limits of the range

2 - Could interfere with some rigid back rests

3 - Not available with swing away and flip back armrest

SIDE GUARDS (not available with Flip Back and "T" Armrest)											
107	SG01	Plastic side guards (removable)							\$195	<input type="checkbox"/>	
108	SG02	Carbon fiber side guards (fixed)							\$250	<input type="checkbox"/>	
109	SG03	Carbon fiber side guards (removable)							\$290	<input type="checkbox"/>	
110	SG06	Plastic fender side guards (removable) ¹							WAMV	\$270	<input type="checkbox"/>
111	SG04	Carbon fiber fender side guards (removable)							WAMV	\$540	<input type="checkbox"/>
112	SG99	Omit side guard							NC	<input type="checkbox"/>	
SIDE GUARDS OPTION											
113	SG07	Side guards clip (pair) ²							NC	<input type="checkbox"/>	

1 - Not compatible with 20" and 22" rear wheels

2 - Not available with fixed carbon fiber side guard

POSITIONING BELT										
114	SB01	Velcro adjustable		Standard 35" <input type="checkbox"/>	Long 60" <input type="checkbox"/>		E0978	\$45	<input type="checkbox"/>	
115	SB02	Auto buckle		Standard 35" <input type="checkbox"/>	Long 60" <input type="checkbox"/>		E0978	\$85	<input type="checkbox"/>	
116	SB07	Hardware attachment for 2 point seatbelt (1 pair)							NC	<input type="checkbox"/>
117	SB03	Additional attachment hardware for 4 point seatbelt							\$15	<input type="checkbox"/>
118	SB04	BodyPoint Hip Belt - 2 point not padded		Medium 56" <input type="checkbox"/>	Long 61" <input type="checkbox"/>			\$80	<input type="checkbox"/>	
119	SB05	BodyPoint Hip Belt - 2 point padded		Small 51" <input type="checkbox"/>	Medium 56" <input type="checkbox"/>	Long 61" <input type="checkbox"/>		\$170	<input type="checkbox"/>	
120	SB06	BodyPoint Hip Belt - 4 point padded		Small 51" <input type="checkbox"/>	Medium 56" <input type="checkbox"/>	Long 61" <input type="checkbox"/>		\$190	<input type="checkbox"/>	
121	SB08	BodyPoint EVOFLEX® Positioning Belt Rehab latch and Band Clamps		Medium 18" <input type="checkbox"/>	Long 24" <input type="checkbox"/>			\$285	<input type="checkbox"/>	
122	SB99	Omit positioning belt							STD	<input type="checkbox"/>

HEADREST ¹										
123	AC01	Profiled Headrest	Small (3.5"X6") <input type="checkbox"/>	Medium (4.5"X7") <input type="checkbox"/>	Large (5.5"X8") <input type="checkbox"/>			\$180	<input type="checkbox"/>	
124	AC28	Headrest mounting hardware with stabiliser bar ¹							\$295	<input type="checkbox"/>

1 - Only available with push handles

ACCESSORIES											
125	AC03	Anti tippers						E0971	\$140	<input type="checkbox"/>	
126	AC29	Swing-away anti-tippers ¹	Left <input type="checkbox"/>	Right <input type="checkbox"/>				New	\$150	<input type="checkbox"/>	
127	AC27	Tip assist ²							\$60	<input type="checkbox"/>	
128	AC05	WC-19 Transit Tie Down w/Q'straint belt ³	Short belt 20-41" <input type="checkbox"/>	Long belt 20-46" <input type="checkbox"/>				E2207	\$320	<input type="checkbox"/>	
129	AC08	Spoke guards ⁴	Available: 22", 24", 26"						K0065	\$115	<input type="checkbox"/>
130	AC10	Seat pouch							\$75	<input type="checkbox"/>	
131	AC26	BodyPoint Mobility Bag							\$125	<input type="checkbox"/>	
132	AC23	Newton Backpack							\$120	<input type="checkbox"/>	
133	AC30	Newton sanitizing multi-purpose pouch						New	\$58	<input type="checkbox"/>	
134	AC12	Velcro Closing Strap							\$50	<input type="checkbox"/>	
135	AC13	Tool kit							\$45	<input type="checkbox"/>	
136	AC16	Motion Composites Polo Shirt	W/S <input type="checkbox"/>	W/M <input type="checkbox"/>	W/L <input type="checkbox"/>				\$32		
			M/S <input type="checkbox"/>	M/M <input type="checkbox"/>	M/L <input type="checkbox"/>	M/XL <input type="checkbox"/>	M/XXL <input type="checkbox"/>	M/XXXL <input type="checkbox"/>	M/XXXXL <input type="checkbox"/>		
137	AC15	Military Patches	Army <input type="checkbox"/>	Navy <input type="checkbox"/>	Air Force <input type="checkbox"/>	Marines <input type="checkbox"/>	Coast Guard <input type="checkbox"/>			\$90	
138	AC15	Combat Wounded Purple Heart Patch							\$90	<input type="checkbox"/>	

1 - Must select the pair (left and right) with HD option; Only available with rear seat to floor height of 13 1/2" and 19 3/4"
3 - May interfere with swing away armrest and Clamp on height adjustable push handle; Not available with HD option

2 - Cannot be combined with Anti Tippers
4 - Not available with Mag wheels and Spinergy

CARBON FIBER FINISH										
139	FC	Highlight color:	(10) Ferrari Red <input type="checkbox"/>	(11) White <input type="checkbox"/>	(12) Black <input type="checkbox"/>	(13) Sunkissed Orange <input type="checkbox"/>			NC	<input type="checkbox"/>
			(14) Sky Blue <input type="checkbox"/>	(15) Fuchsia <input type="checkbox"/>	(16) Acid Green <input type="checkbox"/>					

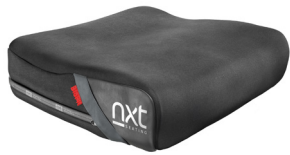
TOTAL										
--------------	--	--	--	--	--	--	--	--	--	--


Frame length chart


Frame length	Seat Depth						
	14"	15"	16"	17"	18"	19"	20"
STD	N/A	15"	16"	17"	18"	19"	20"
1	15"	16"	17"	18"	19"	20"	N/A
2	16"	17"	18"	19"	20"	N/A	N/A
-1	N/A	N/A	15"	16"	17"	18"	19"
-2	N/A	N/A	N/A	15"	16"	17"	18"

Notes :

BioFit™ CUSHION

 HCPCS CODE: E2607-E2608	MODEL #	Fits Width	Depth	\$	✓	MODEL #	Fits Width	Depth	\$	✓
	NXCABF1616	15"-16"	16"	425		NXCABF2016	19" - 20"	16"	425	
	NXCABF1618	15"-16"	18"	425		NXCABF2018	19", - 20"	18"	425	
	NXCABF1620	15"-16"	20"	425		NXCABF2020	19" - 20"	20"	455	
	NXCABF1816	17"-18"	16"	425		NXCABF2216	21" - 22"	16"	455	
	NXCABF1818	17"-18"	18"	425		NXCABF2218	21" - 22"	18"	455	
	NXCABF1820	17"-18"	20"	425		NXCABF2220	21" - 22"	20"	455	

THORACIC SHAPE	 Optima™ THORACIC BACK SUPPORT CARBON FIBRE SHELL (WEIGHT SAVINGS – 1lb) HCPCS CODE: E2620-E2621	Model # Carbon Fibre	Model # Aluminum	Fits Width	Height	\$ Carbon	✓	\$ Aluminum	✓	
		NOACB1307	13"-15"	7"						
		NOACB1309	13"-15"	9"						
		NOACB1313	13"-15"	13"						
		NOACB1316	13"-15"	16"						
		NOACB1407	14"-16"	7"						
		NOCFACB1409	NOACB1409	14"-16"	9"	870				
		NOCFACB1413	NOACB1413	14"-16"	13"	900				
		NOCFACB1416	NOACB1416	14"-16"	16"	930				
			NOACB1507	15"-17"	7"					
		NOCFACB1509	NOACB1509	15"-17"	9"	870				
		NOCFACB1513	NOACB1513	15"-17"	13"	900				
		NOCFACB1516	NOACB1516	15"-17"	16"	930				
			NOACB1607	16"-18"	7"					
		NOCFACB1609	NOACB1609	16"-18"	9"	870				
		NOCFACB1613	NOACB1613	16"-18"	13"	900				
		NOCFACB1616	NOACB1616	16"-18"	16"	930				
			NOACB1707	17"-19"	7"					
		NOCFACB1709	NOACB1709	17"-19"	9"	870				
		NOCFACB1713	NOACB1713	17"-19"	13"	900				
		NOCFACB1716	NOACB1716	17"-19"	16"	930				
			NOACB1807	18"-20"	7"					
		NOCFACB1809	NOACB1809	18"-20"	9"	870				
		NOCFACB1813	NOACB1813	18"-20"	13"	900				
		NOCFACB1816	NOACB1816	18"-20"	16"	930				
			NOACB2007	20"-22"	7"					
		NOCFACB2009	NOACB2009	20"-22"	9"	870				
	NOCFACB2013	NOACB2013	20"-22"	13"	900					
	NOCFACB2016	NOACB2016	20"-22"	16"	930					

 Optima™ DEEP THORACIC BACK SUPPORT CARBON FIBRE SHELL (WEIGHT SAVINGS – 1lb) HCPCS CODE: E2620-E2621	Model # Carbon Fibre	Model # Aluminum	Fits Width	Height	\$ Carbon	✓	\$ Aluminum	✓
		NOPCB1307	13"-15"	7"				
		NOPCB1309	13"-15"	9"				
		NOPCB1313	13"-15"	13"				
		NOPCB1316	13"-15"	16"				
		NOPCB1407	14"-16"	7"				
		NOCFPCB1409	NOPCB1409	14"-16"	9"	870		
		NOCFPCB1413	NOPCB1413	14"-16"	13"	900		
		NOCFPCB1416	NOPCB1416	14"-16"	16"	930		
			NOPCB1507	15"-17"	7"			
		NOCFPCB1509	NOPCB1509	15"-17"	9"	870		
		NOCFPCB1513	NOPCB1513	15"-17"	13"	900		
		NOCFPCB1516	NOPCB1516	15"-17"	16"	930		
			NOPCB1607	16"-18"	7"			
		NOCFPCB1609	NOPCB1609	16"-18"	9"	870		
		NOCFPCB1613	NOPCB1613	16"-18"	13"	900		
		NOCFPCB1616	NOPCB1616	16"-18"	16"	930		
			NOPCB1707	17"-19"	7"			
		NOCFPCB1709	NOPCB1709	17"-19"	9"	870		
		NOCFPCB1713	NOPCB1713	17"-19"	13"	900		
		NOCFPCB1716	NOPCB1716	17"-19"	16"	930		
			NOPCB1807	18"-20"	7"			
		NOCFPCB1809	NOPCB1809	18"-20"	9"	870		
		NOCFPCB1813	NOPCB1813	18"-20"	13"	900		
		NOCFPCB1816	NOPCB1816	18"-20"	16"	930		
			NOPCB2007	20"-22"	7"			
		NOCFPCB2009	NOPCB2009	20"-22"	9"	870		
		NOCFPCB2013	NOPCB2013	20"-22"	13"	900		
		NOCFPCB2016	NOPCB2016	20"-22"	16"	930		

BACK SUPPORT HARDWARE OPTIONS

All backs come STANDARD with QuickRelease Mounting Hardware. The following are fixed hardware options available at no charge when ordered with a back support.

Model #	DESCRIPTION	WEIGHT OF HARDWARE ONLY	✓
	QuickFit Quick Release Hardware System	STANDARD (2 LBS)	STANDARD
NIB-1642	Micro Mount 2 point fixed hardware. Back width needs to match chair width	Weight savings of 1.4 lb over STANDARD	
NIB-1207	2 point fixed hardware. Width expandable to fit 3 sizes of chair	Weight savings of 1.0 lb over STANDARD	

ALL PRICES QUOTED IN USD. PRICES ARE SUBJECT TO CHANGE WITHOUT NOTICE.

For additional NXT models, sizes and hardware not shown, please refer to the complete NXT Seating Order Form at www.motioncomposites.com