

TiLite AERO Z Order Form

Effective November 18, 2019 (New Items in Red)

MONO-TUBE RIGID FRAME

Page 1 of 8

DEALER INFORMATION		RTS INFORMATION		
Dealer:	Account #:	RTS:	Phone:	
PO:	Ordered By:	Email:		
Email:		SHIP TO INFORMATION		
Mark For:	User Weight:	Name:	Ship Via:	
TiLite Sales Rep:		Address:		
TiLite Information:	Promo Code:	City:	State:	Zip:
Ship Date:	Order #:	Phone:	Fax:	

More options and frame modifications may be available through our Creative Mobility Division! Please contact customer service for details or [click here](#) to view options.

Please Email or Fax to the Permobil Manual Customer Service Team at tilitesales@permobil.com or 866.586.2413 / 509.586.2413

FRAME STYLE

- AZFS1 **Aero Z Aluminum Frame** (Full Adjustability. 265 Pound Weight Limit. 150 Pound Weight Limit for Rear Seat Width **A** and Seat Depth **B** of 10"x10" to 12"x12". For Rear Seat Width **A** and Seat Depth **B** of 15" or greater, use K0005. For Rear Seat Width **A** and Seat Depth **B** of less than 15", use E1235.).....**\$2,655** K0005, E1235
- Z2FS2 **ZRA Titanium Frame** (Full Adjustability. 265 Pound Weight Limit. 150 Pound Weight Limit for Rear Seat Width **A** and Seat Depth **B** of 10"x10" to 12"x12". For Rear Seat Width **A** and Seat Depth **B** of 15" or greater, use K0005. For Rear Seat Width **A** and Seat Depth **B** of less than 15", use E1235.).....**\$1,395**
- Z2FS1 **ZR Titanium Frame Ultimate TiFIT** (Minimal Adjustability. 265 Pound Weight Limit. 150 Pound Weight Limit for Rear Seat Width **A** and Seat Depth **B** of 10"x10" to 12"x12". For Rear Seat Width **A** and Seat Depth **B** of 15" or greater, use K0005. For Rear Seat Width **A** and Seat Depth **B** of less than 15", use E1235.).....**\$435**

SMARTDRIVE POWER ASSIST SYSTEM



- ZMAXSD1 **Permobil Smart Drive MX2+** (SwitchControl comes standard. N/A with rear seat heights less than 13.5", or 20" rear wheels)....**\$7,131** E0986
- ZMAXSD6 **NEW PushTracker E2 OR ZMAXSD7** **PushTracker**.....**NCO**
- ZMAXSD8 **SwitchControl with Mono Jack Option**.....**\$150**
- ZMAXSD4 **Carrying Bag**.....**\$78**

FRAME STYLE

- ZHDR1 **Heavy Duty Frame** (Not available on Aero Z. Available on ZR and ZRA only. 300 Pound Weight Limit. No charge when 20" Rear Seat Width **A** and 20" Seat Depth **B** are selected. Includes Tension Adjustable by Straps Back Upholstery. Requires Folding Aluminum Adjustable Height Backrest, Billet Aluminum Front Wheels, Shadow or Spinergy SPOX Rear Wheels. LX Rear Wheels only available with 0 or 2 degree camber. Not available with SuperLite Edition, Slipstream Fork, Velcro Adjustable Upholstery, Swing Away Tubular Armrest or Swing Away Flip Back Tubular Armrest.).....**\$435**
- ZPWR1 **Power Adaptable Frame for Frank Mobility System** (No charge when 20" Rear Seat Width **A** and 20" Seat Depth **B** are selected. Requires LiteSpeed Billet Aluminum Front Wheels and 0 degree camber. Not available with Single-sided Forks, or Titanium Camber Tubes.).....**\$340**
- ZRFR1 **Reinforced Frame** (No charge when 20" Rear Seat Width **A** and 20" **B** Seat Depth are selected.).....**\$340**

TRANSIT OPTION

- ZTTDO3 **Transit Tie-Down** (Tested to WC-19. Consists of four Tie-Down Brackets, two Pelvic Belt Mounting Brackets and Reinforced Frame. Please refer to the Aero Z and ZRA Transit Tie-Down Option Brochure for important information regarding the Transit Tie-Down Option. Not available with ZR.).....**\$335**
- ZWTB **Transport Bracket Option** (Consists of four Tie-Down Brackets. Unoccupied use only. Please refer to the ZR Transport Bracket Supplement for important information regarding the Transit Options).....**\$350**

FRAME FINISHES

- ZFF1 **Satin**.....**STD**
- ZSCBT1 **Satin Finish Buffing Pads**.....**\$20**
- ZFF3 **Tattooed Titanium™ and Aluminum** (Tattoos on front frame tubes. Titanium frame finished in Satin. Aluminum frame is tattooed on blasted aluminum with a clear coat. Tattoos will be trimmed and adjusted to fit your frame.).....**\$335**

- ZFF45 **Need for Speed**
- ZFF44 **Flower Garden**



- ZFF43 **Mosaic**



- High Gloss Paint** ZFF8 Super Wet Black ZFF10 TiLte Red ZFF29 Neon Pink
- Metallic Paint** ZFF14 Ocean Blue Metallic ZFF15 Tangerine Metallic ZFF30 Acid Green Metallic
- Pearlescent Paint** ZFF17 Midnight Blue Pearl ZFF18 White Pearl
- Matte Paint** ZFF19 Black Lava ZFF27 Titanium Grey
- Candy Paint** ZFF22 Ruby Red ZFF23 Azure Blue ZFF25 Electric Plum
- Matte Textured Paint** ZFF40 Hyper Blue ZFF41 Flame Orange ZFF42 OD Green..... **STD**



Permobil.com
 2701 West Court Street | Pasco, Washington 99301
 509.586.6117 Tel | 800.545.2266 Toll-Free
 509.586.2413 Fax | 866.586.2413 Toll-Free Fax

TiLite AERO Z Order Form

COLOR ANODIZE PACKAGE

(Color Anodize Package includes: Aluminum Camber Tube (Color Anodize not available with Power Adaptable Camber Tube), Camber Mount, Footrest Clamp, Caster Mount, Footrest Clamp, Caster Fork, Caster Cap and Agility Carbon Back clamps. If no anodize color is selected, the default will be black.)

- ZANO1 Black.....STD
- ZANO5 Sapphire ZANO3 Red Pepper ZANO6 Burnt Orange ZANO8 Ultraviolet ZANO9 Fuchsia...\$170

TiFit: TAILORED INDIVIDUALIZED FRAME

REAR SEAT WIDTH (A) Measure from outside of seat tube at back post to the outside of the opposite seat tube at back post.

- ZSW1 10" 11" 12" 13" 14" 15" 16" 17" 18" 19".....STD
- ZSW2 20" (HCPCS code only applies to 20" Rear Seat Width (A)).....\$495

FRONT SEAT WIDTH (SEAT TAPER) (I) Measure from inside of front frame tube to inside of opposite front frame tube. (Required with V-Front End (V). Not Available with Standard Front End (L).)

- ZFSW1 No Taper (2.5" Narrower than Rear Seat Width (A)).....STD
- ZFSW3 1.5" Taper (4" Narrower than Rear Seat Width (A). Includes Tension Adjustable by Straps Seat Upholstery. Not available with 10" and 11" Seat Widths (A)).....\$280

SEAT DEPTH (B) Measure from front of back post to the front edge of seat sling. Frame bend will start .5" in front of seat sling unless Custom Frame Depth is specified, or the combination of specifications affect the rolling dynamics of the chair.

- ZSD1 10" 11" 12" 13" 14" 15" 16" 17" 18" 19".....STD
- ZSD2 20".....\$525
- ZSD3 Custom Frame Depth: _____" Frame Depth Longer or Shorter Than Seat Depth (Measure from front of seat sling to beginning of frame bend. Ranges from 0.5" to 2" and can be given as specific as 1/4" increments. A Custom Frame Depth outside specified range may be available through our Creative Mobility Division. A Custom Frame Depth of 20" will have an additional charge).....NCO

ERGONOMIC SEAT (U) Measure from front of back post to beginning of upward bend of seat tube.

- ZERG1 ZR Ergonomic Seat (Not available with Tension Adjustable Bolt On Seat Upholstery)
 - 5" 6" 7" 8" 9"\$340
- ZERG2 Aero Z and ZRA Ergonomic Seat (Center of Gravity adjustment may be affected by this option. Not available with V-Front or Seat Taper, Seat Back that Locks When Folded, Desk Arms, Depth Adjustable Backrests, Fold Down Rigid Sideguards, Fendered Adjustable Sideguards, Solid Seat, Tension Adjustable Bolt On Seat Upholstery, or the Curve Cushion.)
 - 6" (Minimum Seat Depth (B) 12") 7" (Minimum Seat Depth (B) 12")
 - 8" (Minimum Seat Depth (B) 13")\$400

FRONT SEAT HEIGHT (C) Measure from floor to top of seat tube at front edge of seat sling. ZRA adjusts up and down in .5" increments.

- ZFSH1 16" 16.5" 17" 17.5" 18" 18.5" 19" 19.5" 20" 20.5" 21".....STD

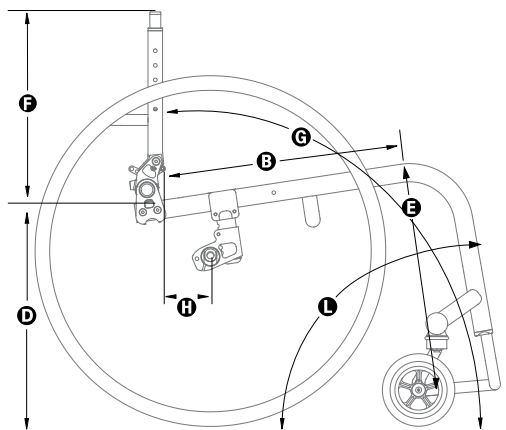
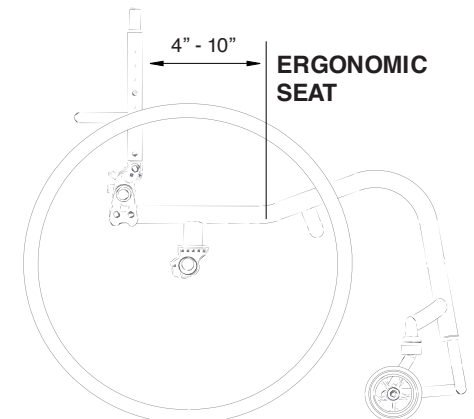
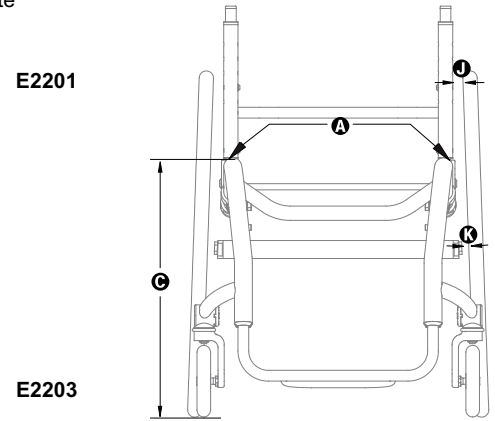
REAR SEAT HEIGHT (D) Measure from floor to top of seat tube at back post.

Rear Wheel Size	Rear Seat Height
20"	12.5"-18.5"
22"	14.0"-19"
24"	14.5"-20"
25"	14.5"-20"
26"	15.5"-20"

- ZRSH1 12.5" 13" 13.5" 14" 14.5" 15" 15.5" 16" 16.5" 17" 17.5" 18" 18.5" 19" 19.5" 20".....STD

FRONT ANGLE (L) Measure from frame front to floor.

- ZFA1 70° 75° 80° 85° (Not available with 6" Front Wheels.) 90° (Not available with 5" or 6" Front Wheels.).....STD



TiLite AERO Z Order Form

Effective November 18, 2019 (New Items in Red)

MONO-TUBE RIGID FRAME

Page 3 of 8

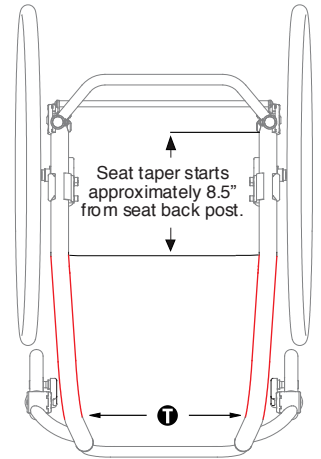
TiFit: TAILORED INDIVIDUALIZED FRAME

SEAT TO FOOTEST ③/FOOTESTS Measure from front edge of seat sling to top rear of footrest.

Standard Footrests Measurement must be at least 2" shorter than Front Seat Height ④.

- 13.5" 14" 14.5" 15" 15.5" 16" 16.5" 17" 17.5" 18" 18.5" 19"

- ZFTR3 Angle Adjustable Footrest.....**STD**
 ZFTR1 Titanium Footrest w/Flat ABS Cover.....**\$200**
 ZFTR2 Titanium Open Loop Footrest.....**\$255**
 ZFTR12 Flip-Back Footrest (Not available with 10" or 11" Rear Seat Width ⑤, Heavy Duty Frame, ABS Cover with 2" Sides or Front Roller.).....**\$255 K0040, K0045**
High Mount Footrest
 7"-9" 9"-11" 11"-13" Set at _____ (Use 1/2" increments)
 ZFTR4 Angle Adjustable High Mount Footrest.....**\$100 K0040**

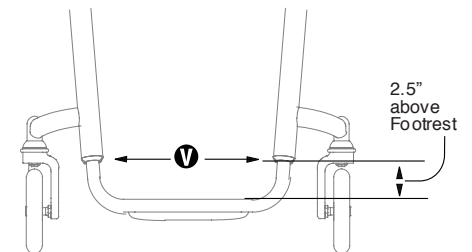
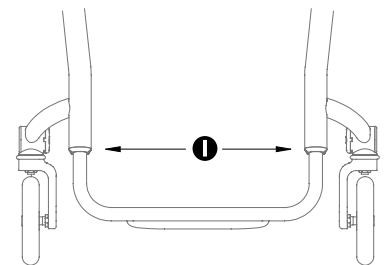


FOOTREST WIDTH ① or ② Select either a Standard Front End ① if no Seat Taper ③ is selected or a V-Front End ② if a Seat Taper ③ is selected

STANDARD FRONT END ① Find your Rear Seat Width ⑤ in the Chart below and select one of the options to the right. Measure from inside of front frame tube to inside of opposite front frame tube. (Not available with Front Seat Width (Seat Taper) ③.)

- ZFE1 NO V-Front Taper (Required when both Heavy Duty Frame and Seat Taper ③ are selected.).....**STD**

REAR SEAT WIDTH ⑤ (Outside Measurement)	FOOTREST WIDTH ①		
	No Taper (2.5" Narrower than Rear Seat Width)	1.5" Taper (4" Narrower than Rear Seat Width)	3.5" Taper (6" Narrower than Rear Seat Width)
10"	<input type="checkbox"/> 7.5"		
11"	<input type="checkbox"/> 8.5"		
12"	<input type="checkbox"/> 9.5"	<input type="checkbox"/> 8"	
13"	<input type="checkbox"/> 10.5"	<input type="checkbox"/> 9"	
14"	<input type="checkbox"/> 11.5"	<input type="checkbox"/> 10"	
15"	<input type="checkbox"/> 12.5"	<input type="checkbox"/> 11"	<input type="checkbox"/> 9"
16"	<input type="checkbox"/> 13.5"	<input type="checkbox"/> 12"	<input type="checkbox"/> 10"
17"	<input type="checkbox"/> 14.5"	<input type="checkbox"/> 13"	<input type="checkbox"/> 11"
18"	<input type="checkbox"/> 15.5"	<input type="checkbox"/> 14"	<input type="checkbox"/> 12"
19"	<input type="checkbox"/> 16.5"	<input type="checkbox"/> 15"	<input type="checkbox"/> 13"
20"	<input type="checkbox"/> 17.5"	<input type="checkbox"/> 16"	<input type="checkbox"/> 14"



OR

V-FRONT END ② Measure from inside of front frame tube to inside of opposite front frame tube 2-1/2" above footrest. (Required with Front Seat Taper ③. Titanium Footrests have 1" of adjustment up and down. Not available with Ergonomic Seat frames.)

- ZFE2 V-Front Taper.....**\$290**
 9" 10" 11" 12" 13" 14" 15"

BACK SUPPORTS

- SSH3 Back Support Installation Install Back OR Do Not Install Back.....**NCO**

ROHO® AGILITY® ACTIVE ALUMINUM BACK SUPPORT

Shell Height 8" 10"

- SBR514 Min Contour AGILITY Active Aluminum with Foam.....**\$695 E2620**
 SBR515 Mid Contour AGILITY Active Aluminum with Foam.....**\$695 E2620**

ROHO® AGILITY® ACTIVE CARBON BACK SUPPORT

Shell Height 10" 13" 16"

- Min Contour ROHO AGILITY Active Carbon Back with Foam w/ Air Insert
 SBR57 Foam w/ Air Insert.....**\$720 E2620**
 ACB1 AGILITY™ Active Carbon Upgrade (Not available with Bolt-on Push Handles).....**\$370**
 Fixed Hardware (Not available with 18" Shell Height or Folding Chairs.).....**NCO**
 Mid Contour ROHO AGILITY Active Carbon Back with Foam w/ Air Insert
 SBR59 Foam w/ Air Insert.....**\$720 E2620**
 ACB2 AGILITY Active Carbon Upgrade (Not available with Bolt-on Push Handles).....**\$370**
 Fixed Hardware (Not available with 18" Shell Height or Folding Chairs.).....**NCO**

COMFORT ACTA-EMBRACE™

Shell Height 10" 12" 14" 16"

- SBR516 Acta-Embrace Back with 2-PT Quick Release Compass Hardware.....**\$560 E2613**
 CPSB1 Comfort Privacy Shield.....**\$40**

TiLite AERO Z Order Form

Effective November 18, 2019 (New Items in Red)

MONO-TUBE RIGID FRAME

Page 4 of 8

TiFit: TAILORED INDIVIDUALIZED FRAME

COMFORT ACTA-RELIEF

Shell Height 10" 12" 14" 16"

SBRS13 Acta-Relief Back with 2-PT Quick Release Compass Hardware.....\$730 E2615
 CPSB1 Comfort Privacy Shield.....\$40

BACK UPHOLSTERY (Want more seating options? [Click here](#) to view the new TiLite Seating Order Form.)

ZBUP2 Velcro Adjustable (Not available with Fold-Down Push Handles.).....STD

Tension Adjustable by Straps (Required with Fold-Down Push Handles.)

ZBUP3 Padded Nylon.....\$340 E2611
 ZBUP5 AIR Breathable Upholstery (Not available with Ultrasuede Backrest Stripe.).....\$340 E2611
 ZUPC3 Ultrasuede Backrest Stripe Black.....\$105
 ZBUP0 Omit Back Upholstery.....NCO

SEAT BACK TYPE/PUSH HANDLES/SEAT BACK HEIGHT ⑤ Measure from top of back post to top of seat tube at rear of frame.

ZSB1 Folding Aluminum Adjustable Height w/Precision Lock Back (Required for Heavy Duty Frame.).....STD

ZSB2 Folding Titanium Adjustable Height w/Precision Lock Back and Rounded Rigidizer Bar (Titanium back will match Frame Finish. Not available with Bolt-On Push Handles.).....\$255

ZSB15 Non-Folding, Fixed Height Titanium with Rounded Rigidizer Bar (Not Available with Aero Z, ZRA or Transport Brackets. Titanium back will match Frame Finish. Not available with Push Handles.).....\$290

TISHAFT™ BACK RELEASE BARS (Not available with Non-Folding, Fixed Height Titanium Back.)

ZSB3 Aluminum.....STD

ZSB5 Carbon Fiber.....\$75

PUSH HANDLES

ZSB6 Integrated Push Handles.....NCO

ZSB7 Integrated Fold-Down Push Handles (Requires Tension Adjustable by Straps Back Upholstery.).....\$115

ZSB8 Bolt-On Push Handles (Includes 4" Deep Backrest Rigidizer Bar. Not available with Ti Back.).....\$200

ZSB9 Bolt-On Height-Adjustable Push Handles (Includes 4" Deep Backrest Rigidizer Bar. Not available with Ti Back.).....\$335

FOLDING SEAT BACK HEIGHT ⑤ (ZSB1 and ZSB2)

Push Handles (Selected Above)	Short	Medium	Tall	Set at: (Use ½" increments)
None/ Bolt-On	<input type="checkbox"/> 9.5"-12.5"	<input type="checkbox"/> 13"-17.5"	<input type="checkbox"/> 17"-21.5"	Set at: _____
Integrated	<input type="checkbox"/> 11.5"-13.5"	<input type="checkbox"/> 14.5"-17.5"	<input type="checkbox"/> 18.5"-21.5"	Set at: _____
Integrated Fold-Down	<input type="checkbox"/> 14"-16"	<input type="checkbox"/> 15.5"-19.5"	<input type="checkbox"/> 19.5"-22"	Set at: _____

NON-FOLDING, FIXED-HEIGHT ⑤ TITANIUM SEAT BACK with Rounded Rigidizer Bar (ZSB15) (Titanium back will match Frame Finish. Required for fixed Side Guards. Not available with Aero Z, ZRA, Swing Away Tubular or Swing Away - Flip Back Tubular Armrests and Integrated Push Handles, Integrated Fold-Down Push Handles or Bolt-On Height Adjustable Push Handles.)

8" 8.5" 9" 9.5" 10" 10.5" 11" 11.5" 12" 12.5" 13" 13.5" 14" 14.5" 15" 15.5"
 16" 16.5" 17" 17.5" 18" 18.5" 19" 19.5" 20"

AVAILABLE ON ALL BACKS

ZSB11 Backrest that Locks when Folded (Not available with Ergonomic Seat.).....STD

ZSB12 4" Deep Backrest Rigidizer Bar (Required with Heavy Duty Frame. Not available with a Non-Folding, Fixed Height Titanium Seat Back Type. 4" Deep Rigidizer Bar is NOT a rounded style rigidizer bar.).....NCO

ZSB16 Depth Adjustable Back/Frame (Seat Depths ⑤ of 10"-18" allow 2" of rearward adjustment. Height Adjustable Push Handles have a limited height range with Depth Adjustable Back. Not Available with 19" or 20" Seat Depths ⑤, Heavy Duty Frame, Tension Adjustable By Straps Seat Upholstery or Carbon Fiber Side Guards.).....NCO

SEAT BACK ANGLE ⑥ Measure angle from front of back post to floor.

ZSBA1 **Folding Back**
 80° 83° 86° 89° 92° 95° 98° 101°.....STD

ZSBA1 **Non-Folding Back**
 80° 81° 82° 83° 84° 85° 86° 87° 88° 89° 90° 91° 92° 93° 94° 95° 96°
 97° 98° 99° 100° 101°.....NCO

CENTER OF GRAVITY ⑦ Measure from front of back post at the seat tube to the center of the rear axle. If no center of gravity is selected, chair will ship with the center of gravity in the rearward-most position.

ZCOG1 0" 0.25" 0.5" 0.75" 1" 1.25" 1.5" 1.75" 2" 2.25" 2.5" 2.75" 3" 3.25" 3.5" 3.75" 4" 4.25" 4.5" 4.75" 5".....STD

REAR WHEEL SPACING ⑧/PLUGS Measure from outside of seat back post to inside of rear tire. ZRA 0.75" Rear Wheel Spacing not available with 0° or 2° Camber ⑨. Ergonomic Seat selection may limit available center of gravity.

ZRWS1 .75" 1" 1.25".....STD

ZCBR12 Adjustable Rear Wheel Spacing Camber Plugs (Not available with Power Adaptable Frame.).....STD

ZCBR9 Additional Spacers to Increase Rear Wheel Spacing.....NCO

ZCBR11 Zero Play Aluminum Camber Plugs (Not available with Power Adaptable Frame or more than 6° of Camber ⑨.).....NCO

TiLite AERO Z Order Form

Effective November 18, 2019 (New Items in Red)

MONO-TUBE RIGID FRAME

Page 5 of 8

TiFit: TAILORED INDIVIDUALIZED FRAME

SEAT UPHOLSTERY

ZSUP1	<input type="checkbox"/> Tension Adjustable Bolt On (Not available with Ergonomic Seat or Tapered Seat ①. Black only.)	STD	
ZSUP2	<input type="checkbox"/> Tension Adjustable by Straps (Standard with Ergonomic Seat and Front Seat Width (Seat Taper) ① of 1", 2" or 3". Black upholstery only.)	\$185	
ZSUP8	<input type="checkbox"/> Aluminum Solid Seat (Not available with 10" or 11" Rear Seat Width ② or Ergonomic Seat ①.)	\$285	E2231
ZSUPO	<input type="checkbox"/> Omit Seat	NCO	

SEAT CUSHION (Want more seating options? [Click here](#) to view the new TiLite Seating Order Form.)

ZCSH2	<input type="checkbox"/> Comfort Curve Cushion (Stretch-Air cover)	\$120	E2601
ZCSH23	<input type="checkbox"/> Comfort Acta-Embrace™ Comfort-Tek Zero Elevation Cushion	\$360	E2607
ZCSH11	<input type="checkbox"/> ROHO Single Compartment (Fits seat widths 14" to 19") Profile: <input type="checkbox"/> Low <input type="checkbox"/> Mid <input type="checkbox"/> High	\$525	E2622
ZCSH14	<input type="checkbox"/> ROHO Quadtro Select (Fits seat widths 14" to 19") Profile: <input type="checkbox"/> Low <input type="checkbox"/> Mid <input type="checkbox"/> High	\$525	E2624

CUSTOM CONFIGURATION OPTIONS

CAMBER ③/CAMBER TUBES

ZCBR1	<input type="checkbox"/> 0° <input type="checkbox"/> 2° <input type="checkbox"/> 4° <input type="checkbox"/> 6° (More than 0° of Camber ③ is not available with the Power Adaptable Frame. 8° of Camber may be available through our Creative Mobility Division.)	STD	
ZCBR15	<input type="checkbox"/> Aluminum Camber Tube	STD	
ZCBR6	<input type="checkbox"/> NEW Carbon Fiber Camber Tube (Not available with 6° of Camber ③ and seat widths greater than 18")	\$240	
ZCBR3	<input type="checkbox"/> Titanium Camber Tube (Not available with Power Adaptable Frame.)	\$200	

FRONT WHEELS

ZFW24	<input type="checkbox"/> 3"x1.5" LiteSpeed Billet Aluminum Wheel w/Soft Roll Tire <input type="checkbox"/> Silver Hub OR <input type="checkbox"/> Black Hub	\$190	
ZFW14	<input type="checkbox"/> 4"x.75" Plastic Wheel w/Poly Tire (Not available with Slipstream Fork or Power Adaptable Frame.)	NCO	
ZFW3	<input type="checkbox"/> 4"x.75" Light-Up Micro-Caster (Not available with Slipstream Fork or Power Adaptable Frame.)	\$80	
ZFW26	<input type="checkbox"/> 4"x1.5" LiteSpeed Plastic Wheel w/Soft Roll Tire (Not available with Power Assist, Power Add-on System or Heavy Duty Frame.)	\$95	
ZFW27	<input type="checkbox"/> 4"x1.5" LiteSpeed Billet Aluminum Wheel w/Soft Roll Tire <input type="checkbox"/> Silver Hub OR <input type="checkbox"/> Black Hub	\$200	
ZFW6	<input type="checkbox"/> 5"x1" Plastic Wheel w/Poly Tire (Not available with 90° Front Angle ④, Slipstream Fork or Power Adaptable Frame.)	NCO	
ZFW28	<input type="checkbox"/> 5"x1.5" LiteSpeed Plastic Wheel w/Soft Roll Tire (Not available with 90° Front Angle ④ or Power Adaptable Frame.)	\$95	
ZFW30	<input type="checkbox"/> 5"x1.5" LiteSpeed Billet Aluminum Wheel w/Soft Roll Tire <input type="checkbox"/> Silver Hub OR <input type="checkbox"/> Black Hub (Not available with 90° Front Angle ④.)	\$215	
ZFW9	<input type="checkbox"/> 6"x1" Plastic Wheel w/Poly Tire (Not available with 85° or 90° Front Angle ④, Slipstream Fork or Power Adaptable Frame.)	NCO	
ZFW32	<input type="checkbox"/> 6"x1.5" LiteSpeed Plastic Wheel w/Soft Roll Tire (Not available with 85° or 90° Front Angle ④, Slipstream Fork or Power Adaptable Frame.)	\$100	
ZFW33	<input type="checkbox"/> 6"x1.5" LiteSpeed Billet Aluminum Wheel w/Soft Roll Tire <input type="checkbox"/> Silver Hub OR <input type="checkbox"/> Black Hub (Not available with 85° or 90° Front Angle ④ or Slipstream Fork.)	\$225	

PRECISION LOCK FRONT FORKS

ZFK1	<input type="checkbox"/> TiLite Standard Fork	STD	
ZFK2	<input type="checkbox"/> TiLite Slipstream Single-Sided Fork (Not available with Heavy Duty Frame or Power Adaptable Frame.)	\$170	
ZGL1	<input type="checkbox"/> Out-Front Glide™ Suspension Fork (Black anodize only. Not available with Heavy Duty Frame.)	\$485	E1015
ZTFS1	<input type="checkbox"/> Titanium Fork Stem	\$60	

STANDARD REAR WHEELS (See Rear Seat Height Ranges Chart for Rear Seat Height ⑤ limitations.)

ZRW14	TiLite SHADOW™	STD	
	<input type="checkbox"/> 20"(451)		
	<input type="checkbox"/> 22"(501)		
	<input type="checkbox"/> 24"(540)		
	<input type="checkbox"/> 25"(559) (Requires 15" minimum Seat Depth ⑤.)		
	<input type="checkbox"/> 26"(590) (Requires 15" minimum Seat Depth ⑤.)		

PERFORMANCE REAR WHEELS (See Rear Seat Height Ranges Chart for Rear Seat Height ⑤ limitations.)

ZRW7	Spinergy SPOX <input type="checkbox"/> Black <input type="checkbox"/> Red <input type="checkbox"/> Blue <input type="checkbox"/> White	\$845	
	<input type="checkbox"/> 22"(501) - Std. Hub		
	<input type="checkbox"/> 24"(540) - Std. Hub		
	<input type="checkbox"/> 25"(559) - Std. Hub (Requires 15" minimum Seat Depth ⑤.)		
	<input type="checkbox"/> 26"(590) - Sport Hub (Requires 15" minimum Seat Depth ⑤. Not available with Quad Release Axles.)		
ZRW8	Spinergy LX <input type="checkbox"/> Black <input type="checkbox"/> Red <input type="checkbox"/> Blue <input type="checkbox"/> White <input type="checkbox"/> Bright Orange <input type="checkbox"/> Flamingo Pink <input type="checkbox"/> Purple	\$1,060	
	<input type="checkbox"/> 22"(501) - Std. Hub		
	<input type="checkbox"/> 24"(540) - Std. Hub		
	<input type="checkbox"/> 25"(559) - Std. Hub (Requires 15" minimum Seat Depth ⑤.)		
	<input type="checkbox"/> 26"(590) - Sport Hub (Requires 15" minimum Seat Depth ⑤. Not available with Quad Release Axles.)		
ZRW16	Spinergy Carbon Blade (Not available with Heavy Duty Frame, Natural-Fit or Natural-Fit LT with Standard Grip or Super Grip.)	\$1,480	
	<input type="checkbox"/> 24"(540)		
	<input type="checkbox"/> 25"(559) (Requires 15" minimum Seat Depth ⑤.)		

TiLite AERO Z Order Form

CUSTOM CONFIGURATION OPTIONS

ZRW17	X-Core Mag (Not available with Heavy Duty Frame, Short Tabs, Quad Release Axles, Spoke Guards or Omit Handrims Option. Requires Aluminum Sliver Anodized Handrims.)	\$60
	<input type="checkbox"/> 20"(451)	
	<input type="checkbox"/> 22"(501)	
	<input type="checkbox"/> 24"(540)	

AXLES

ZAXL1	<input type="checkbox"/> Stainless Quick Release	STD
ZAXL2	<input type="checkbox"/> Titanium Quick Release	\$255
ZAXL3	<input type="checkbox"/> Quad Release (Not available with Mag or 26"(590) Spinergy Spox or LX Rear Wheels.)	\$155

PNEUMATIC REAR TIRES

ZRTR1	<input type="checkbox"/> Treaded (Not available with 25"(559) or 20" (451) Rear Wheels.)	STD
ZRTR2	<input type="checkbox"/> Airless Inserts (Not available with Spinergy Carbon Blade Rear Wheels.)	\$90
ZRTR3	<input type="checkbox"/> 25"(559) Primo Treaded (Standard with 25"(559) Rear Wheels.)	STD
ZRTR4	<input type="checkbox"/> Primo Slick	NCO
ZRTR30	<input type="checkbox"/> 24"(540), 25"(559) and 26"(590) Primo Sentinel	\$125
ZRTR8	<input type="checkbox"/> 24"(540), 25"(559) and 26"(590) Schwalbe® Marathon Plus Evolution	\$140
ZRTR9	<input type="checkbox"/> 24"(540) and 25"(559) Schwalbe® Slick	\$145
ZRTR24	<input type="checkbox"/> 24"(540) Kenda Kobra Knobby	\$95

E2213

SOLID REAR TIRES (Not available with Spinergy Carbon Blade Rear Wheels.)

ZRTR22	<input type="checkbox"/> 20"(451), 22"(501), 24"(540) and 25"(559) Primo Express	\$110
ZRTR23	<input type="checkbox"/> 24"(540) and 25"(559) Primo Active	\$135

HANDRIMS

Handrims by OUT-FRONT®

ZRIM1	<input type="checkbox"/> Aluminum – Silver Anodized	STD
ZRIM21	<input type="checkbox"/> Aluminum – Black Anodized (Not available with 20"(451) Rear Wheels.)	NCO
ZRIM12	<input type="checkbox"/> Titanium – Satin Finish (Not available with 20"(451) or 22"(501) Rear Wheels, or 24"(540) Knobby tires.)	\$470
ZRIM10	<input type="checkbox"/> The Surge (All-In-One Oval with Gription™ Strip, Larger Profile) (Not available with 20"(451) Rear Wheels.)	\$400
ZRIM11	<input type="checkbox"/> The Surge LT (All-In-One Oval with Gription™ Strip, Smaller Profile) (Not available with 20"(451) Rear Wheels.)	\$430
ZRIM20	<input type="checkbox"/> Q-Grip (Exclusive High-Friction, Anti-Slip Coating) (Not available with 20"(451) Rear Wheels.)	\$330

The Natural-Fit® (Original, Larger Profile) (Not available with 20"(451) Rear Wheels.)

ZRIM14	<input type="checkbox"/> Standard Grip (Not available with Short Tabs or Spinergy Carbon Blade Rear Wheels.)	\$395
ZRIM15	<input type="checkbox"/> Super Grip (Not available with Short Tabs or Spinergy Carbon Blade Rear Wheels.)	\$430
ZRIM16	<input type="checkbox"/> Without Thumb Grip	\$360

The Natural-Fit® LT (Reduced Weight, Smaller Profile) (Not available with 20"(451) Rear Wheels.)

ZRIM17	<input type="checkbox"/> Standard Grip (Not available with Short Tabs or Spinergy Carbon Blade Rear Wheels.)	\$415
ZRIM18	<input type="checkbox"/> Super Grip (Not available with Short Tabs or Spinergy Carbon Blade Rear Wheels.)	\$475
ZRIM19	<input type="checkbox"/> Without Thumb Grip	\$390

Additional Handrim Options

ZRIM5	<input type="checkbox"/> Plastic Coated – Black	\$160
ZRIM22	<input type="checkbox"/> Omit Handrims	NCO

Tab Length

ZRIM7	<input type="checkbox"/> Long Tabs	STD
ZRIM8	<input type="checkbox"/> Short Tabs (Not available with Mag Rear Wheels or The Natural-Fit Handrims with Thumb Grip.)	\$25

WHEEL LOCKS

Wheel Locks by OUT-FRONT®

ZWLK7	<input type="checkbox"/> Compact Composite Push to Lock (Available with .75" to 1.5" Rear Wheel Spacing ① only.)	NCO
ZWLK8	<input type="checkbox"/> Compact Composite Pull to Lock (Available with .75" to 1.5" Rear Wheel Spacing ① only.)	NCO
ZWLK10	<input type="checkbox"/> Extension Handles for Compact Composite Push/Pull to Lock	\$85
ZWLK9	<input type="checkbox"/> Composite Scissor Lock	\$145

E0961

Additional Wheel Locks

ZWLK3	Uni-Lock Set At: <input type="checkbox"/> Push OR <input type="checkbox"/> Pull	\$165
ZWLK4	<input type="checkbox"/> Extension Handles for Uni-Lock	\$85
ZWLK15	<input type="checkbox"/> Grade Aids Push to Lock (Not available with solid rear tires)	\$175

E0961

E0974

SIDE GUARDS

Aluminum

ZSDG2	<input type="checkbox"/> Rigid Removable <input type="checkbox"/> Small OR <input type="checkbox"/> Std	\$200
ZSDG3	<input type="checkbox"/> Quad Removable w/Hole <input type="checkbox"/> Small OR <input type="checkbox"/> Std	\$215
ZSDG4	<input type="checkbox"/> Fold Down Rigid <input type="checkbox"/> Small OR <input type="checkbox"/> Std (Not available with Ergonomic Seat.)	\$335
ZSDG6	<input type="checkbox"/> Fendered Adjustable (Available with 24" and 25" Rear Wheels. Requires Rear Seat Height ② of 14.5" to 18.5".)	\$335

TiLite AERO Z Order Form

Effective November 18, 2019 (New Items in Red)

MONO-TUBE RIGID FRAME

Page 7 of 8

CUSTOM CONFIGURATION OPTIONS

SIDE GUARDS

Carbon Fiber

ZSDG7	<input type="checkbox"/> Rigid Removable	<input type="checkbox"/> Small	OR	<input type="checkbox"/> Std.	\$310		
ZSDG8	<input type="checkbox"/> Quad Removable w/Hole	<input type="checkbox"/> Small	OR	<input type="checkbox"/> Std.	\$320		
ZSDG9	<input type="checkbox"/> Fold Down Rigid	<input type="checkbox"/> Small	OR	<input type="checkbox"/> Std. (Not available with Ergonomic Seat.)	\$460		
ZSDG11	<input type="checkbox"/> Fendered Adjustable (Available with 24" and 25" Rear Wheels. Requires Rear Seat Height Ⓞ of 14.5" to 18.5").					\$565	
ZSDG12	<input checked="" type="checkbox"/> NEW Fendered Removable.					\$455	

Available on Aluminum and Carbon Fiber Non-Fendered Side Guards

ZSDG13	<input type="checkbox"/> Side Guards Custom Cut to Profile of Rear Wheels (Not available with Cloth.)					\$315	
--------	---	--	--	--	--	-------	--

ARMRESTS (Desk Arms come with built-in Side Guards.)

ZARM1	Swing Away Tubular	<input type="checkbox"/> 6.5" to 9.5"	OR	<input type="checkbox"/> 9.5" to 12.5" (Not Available with Heavy Duty Frame or Height Adjustable Push Handles.)	\$225	E0973	
ZARM6	<input type="checkbox"/> Swing Away Fixed Height - Flip Back Tubular (Not Available with Heavy Duty Frame.)					NCO	
ZARM4	<input type="checkbox"/> Swing Away Height Adjustable 8.5" to 11.5" - Flip Back Tubular (Not Available with Heavy Duty Frame.)					\$315	E0973
ZARM2	Removable Height Adjustable Desk Arm with Rigid Side Guard (Requires 14" minimum Seat Depth Ⓞ . Not available with Ergonomic Seat.)					\$335	E0973
	<input type="checkbox"/> 9" to 12" OR <input type="checkbox"/> 12" to 15"						
	<input type="checkbox"/> Standard Length Pad (10") OR <input type="checkbox"/> Full Length Pad (14")						
ZARM3	Removable Height Adjustable Desk Arm with Rigid Side Guard and Transfer Loop (Requires 15" minimum Seat Depth Ⓞ . Not Available with Ergonomic Seat.)					\$375	E0973
	<input type="checkbox"/> 9" to 12" OR <input type="checkbox"/> 12" to 15"						
	<input type="checkbox"/> Standard Length Pad (10") OR <input type="checkbox"/> Full Length Pad (14")						

Available Armrest Option

ZARM5	<input type="checkbox"/> Covered in Black Ultrasuede (Not available with Desk Arms)					\$110	
-------	---	--	--	--	--	-------	--

SEAT BELTS

ZBLT1	<input type="checkbox"/> Velcro Adjustable, Black Nylon Webbing					\$55	E0978
ZBLT2	<input type="checkbox"/> Bodypoint [®] 2" Push-Button Buckle (Auto-Style.)					\$95	E0978
ZBLT4	<input type="checkbox"/> Bodypoint [®] 1" Wide Push-Button Buckle Padded (Auto-Style.) (Not available with 19" or 20" Rear Seat Widths Ⓐ .)					\$180	E0978
ZBLT5	<input type="checkbox"/> Bodypoint [®] 1.5" Wide Push-Button Buckle Padded (Auto-Style.) (Not available with 19" or 20" Rear Seat Widths Ⓐ .)					\$170	E0978
ZBLT8	<input type="checkbox"/> Q'Straint [®] WC-19 Wheelchair-Anchored Pelvic Belt (Recommended for use with Transit Tie Down. Not Available with ZR.)					\$200	E0978
ZBLT10	<input type="checkbox"/> Bodypoint [®] Optional Band Clamp Mounting Hardware					\$20	K0108
ZBLT16	<input type="checkbox"/> Bodypoint [®] EvoFlex [®] Pelvic Stabilizer Push Button					\$185	E0978

CALF STRAP

ZCLF2	Velcro Adjustable	\$40	K0038
	<input type="checkbox"/> Small (Recommended for 9" - 12" Footrest Widths.)		
	<input type="checkbox"/> Medium (Recommended for 11" - 15" Footrest Widths.)		
	<input type="checkbox"/> Large (Recommended for 14" - 17" Footrest Widths.)		
	<input type="checkbox"/> Xtra Large (Recommended for 16" - 19" Footrest Widths.)		
ZCLF3	Bodypoint [®] Padded Velcro Adjustable	\$100	K0038
	<input type="checkbox"/> Small (Recommended for 8" - 11" Footrest Widths.)		
	<input type="checkbox"/> Medium (Recommended for 11" - 15" Footrest Widths.)		
	<input type="checkbox"/> Large (Recommended for 16" - 19" Footrest Widths.)		
ZCLF1	<input type="checkbox"/> Buckle Adjustable, Black Nylon Webbing	\$30	K0038

RESIDUAL LIMB SUPPORT

ZRSL1	Residual Limb Support	<input type="checkbox"/> Left	OR	<input type="checkbox"/> Right (8" width x 10" length)	\$395	E1020	
ZRSL2	<input type="checkbox"/> Residual Limb Support Pair (8" width x 10" length)					\$790	E1020

BACKPACK

ZBCK3	<input type="checkbox"/> Permobil Medical Necessities Backpack					\$95	
-------	--	--	--	--	--	------	--

SEAT POUCH

ZPCH3	<input type="checkbox"/> Permobil Medical Necessities Seat Pouch					\$60	
ZPCH4	<input type="checkbox"/> Bodypoint [®] Mobility Bag					\$100	

SPOKE GUARDS

ZGRD1	<input type="checkbox"/> Clear Lexan with TiMotion Logo (Not available with Mag Rear Wheels.)					\$135	K0065
-------	---	--	--	--	--	-------	-------

ANTI-TIPS

ZTIP1	<input type="checkbox"/> Rear Aluminum - Black					\$160	E0971
ZTIP2	<input type="checkbox"/> User Friendly Flip-up (Not available with Frog Legs [®] Rear Suspension.)					\$335	E0971

TiLite AERO Z Order Form

Effective November 18, 2019 (New Items in Red)

MONO-TUBE RIGID FRAME

Page 8 of 8

CUSTOM CONFIGURATION OPTIONS

ACCESSORIES

ZUEST1	Upper Extremity Support Tray <input type="checkbox"/> 12" to 14" OR <input type="checkbox"/> 13" to 15" Seat Widths A (Requires Armrests.).....	\$290	E0950
ZLUG1	<input type="checkbox"/> Luggage Carriers.....	\$145	
ZMPCT2	Neoprene Impact Guards with Ultrasuede Stripe <input type="checkbox"/> Black.....	\$105	
ZCH1	<input type="checkbox"/> Crutch Holder.....	\$225	E2207
ZAFP1	4" Logo Patch <input type="checkbox"/> Army <input type="checkbox"/> Navy <input type="checkbox"/> Air Force <input type="checkbox"/> Marines.....	\$105	

GENERAL

More options and frame modifications may be available through our Creative Mobility Division! Please contact customer service for details or [click here](#) to view options.

Permobil manufactures TiLite manual wheelchairs in a wide variety of configurations to meet the varied needs of wheelchair users. The final selection of a particular model, its options and accessories, and its measurements rests solely with the wheelchair user and advising healthcare professional. These wheelchairs must be fitted by a qualified healthcare professional. HCPCS Codes are for reference purposes only. Actual coding and coverage varies by payer. Proper HCPCS coding is not a guarantee of payment. Please verify the appropriate payer's coverage policy.

Get the latest order forms at permobilus.com. Prices, standard features, options and accessories are subject to change without notice. All rights reserved. Trademarks are identified by symbols™ and ®. TiLite, TiFit, the TiLite logo, Ti, the Ti logo, and TiShaft are registered trademarks of TiSport, LLC and are licensed to Permobil. Permobil® is a registered trademark of Permobil. Adobe®, Acrobat®, Acrobat Professional® and Reader® are registered trademarks of Adobe Systems Inc. Bodypoint® is a registered trademark of Bodypoint Inc. Kenda® is a registered trademark of Kenda Rubber Industrial Co. Ltd. ROHO®, AGILITY®, Low Profile® and Quadtro Select® are registered trademarks of ROHO Inc. Schwalbe® is a registered trademark of Ralf Bohle GmbH. The Natural-Fit® and Out-Front® are registered trademarks of Three Rivers Holdings, LLC. The ACTA-BACK®, ACTA-EMBRACE™, COMFORT-TEK™, COMPASS®, CURVE®, ELEMENTS®, and STRETCH AIR™ are registered trademarks of THE COMFORT COMPANY® and are licensed to Permobil. Q'Straint® is a registered trademark of Q'Straint Inc.

NOTES

QUOTE THIS CHAIR

If you are using Adobe Acrobat, this order form may be converted into a quote request or into an order by clicking one of the buttons (this feature is available exclusively to Permobil dealers and distributors). A Quote or an Order Confirmation will be sent to you within 24 hours.

ORDER THIS CHAIR